

Mounting Bracket

Accessories of Magnetic Lock

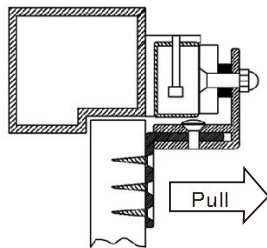
PACC-LH250-LZ LZ-Bracket of Magnetic Lock, for PACC-LH250S/D

- The LZ-bracket adopts aldural material with the surface sandblast;
- It is suitable for in-swing doors;
- The door opens towards inside at the angle of 90°;
- The bracket is suitable for magnetic lock of 300kg series;
- The shell is hard anodizing electroplating operated;
- The weight of the bracket is 0.75kg (1.58lb);
- The dimension(L×W×H) of L-bracket is 250×47×28.5mm (9.84×1.85×1.12");
- The dimension (L×W×H) of Z-bracket is 180×50×50mm (7.09×1.97×1.97") (ABK-280ZL).

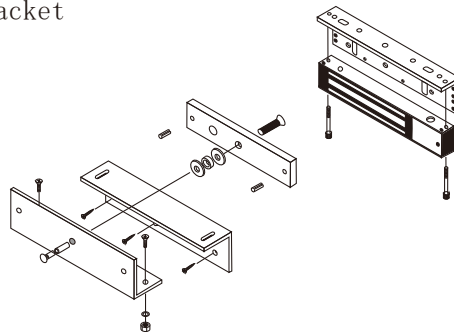


PACC-LH250-LZ Installation

- For in-swing door, install the lock body inside and then need to install the ZL bracket at the same time.
- Discharge the mounting plate from lock body.
- Fix the L bracket on the door frame and then fix the lock body on the L bracket.
- Assemble the Z bracket and then fix it on the door frame
- Fix the armature on the Z bracket



Swing in instalation



PACC-LH250-U

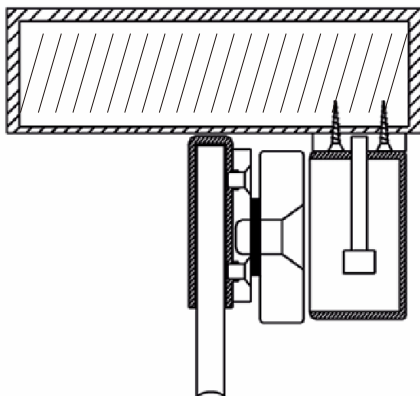
U-Bracket of Magnetic Lock, for PACC-LH250/D

- The U-bracket adopts aldural material with the surface sandblast;
- It is suitable for frameless glass door;
- The door opens at the angle of 90°;
- The U-bracket is suitable for magnetic lock of 300kg series;
- The shell is hard anodizing electroplating operated;
- The thickness of glass should be 10 to 15mm;
- The weight of the U-bracket is 0.32kg (0.70lb);
- The dimension (L×W×H) of U-bracket is 180×40×28mm (7.09×1.57×1.10").

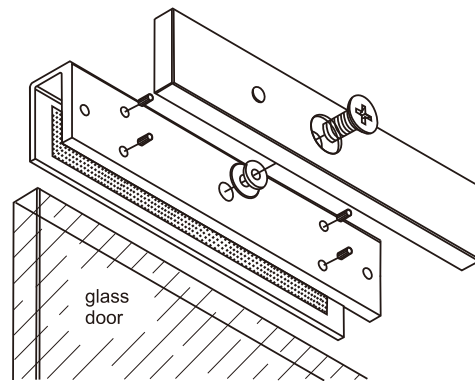


PACC-LH250-U

Installation



Pull glass door leaf(swing out)



U Bracket Installation

- If the door is glass door, need to install the U bracket.
- Use the Allen key to fix the U bracket on the glass door.
- Fix the amature plate on the U bracket.

