

PACC-LT100-UX Series

Accessories of Electric Bolt

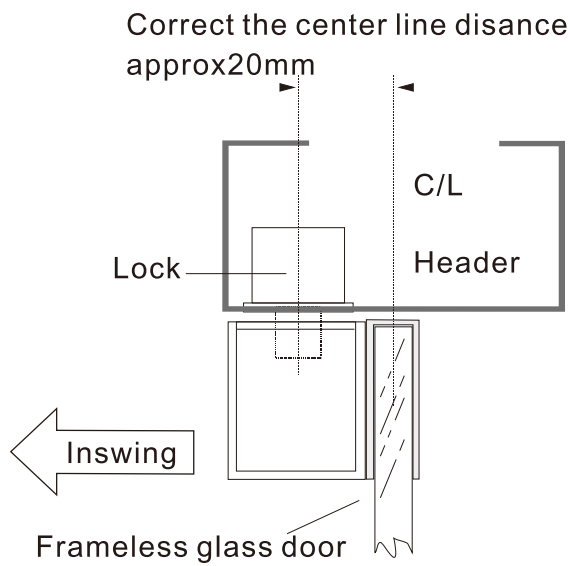
PACC-LT100-U1 Lower U-bracket of Electric Bolt. for Using with DS-K4T100

- The bracket is made up of aluminum alloy
- It is suitable for fully frameless glass door;
- The door opens both sides at the angle of 180°;
- The thickness of the glass is 10~15mm (0.39~0.59");
- The weight of the product is 0.27kg (0.60lb)



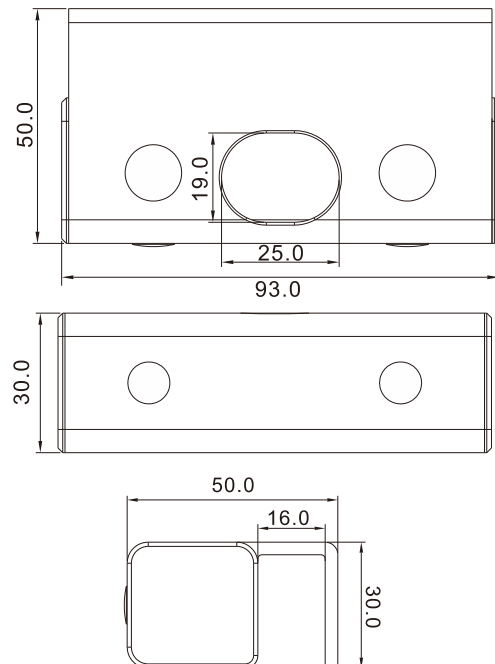
PACC-LT100-U1 Installation and Dimension

Installation



Bracket Section View

Dimension



PACC-LT100-U2 Upper and lower U-bracket of Electric Bolt, for Using with DS-K4T100

- The bracket is made up of aluminum alloy;
- The dimension (L×W×H) of the bracket is: 205×58×46mm (8.07×2.28×1.81")
- It is suitable for fully frameless glass door;
- The door opens both sides at angle of 180°;
- The thickness of the glass is 10~15mm (0.39~0.59");
- The weight of the product is 1.3kg.(2.87lb)



PACC-LT100-U2 Installation

