

Exit Button

Accessory of Magnetic Lock

PACC-RP01

Features

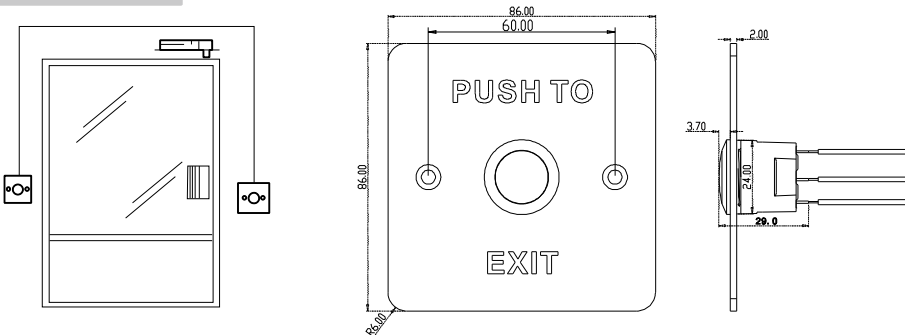
- Dimension (L×W×H): 86×86×28.9mm(3.39×3.39×1.14");
- Structure: aluminum alloy panel, metal button;
- Current Rating: 3A@36VDC Max;
- Output Contact: NO/NC/COM Contact;
- Aging Test: already passed 500 thousand times aging test;
- Suitable Doors: hollow doorframe and embedded-electric box;
- Working Temperature: -10°C to +55°C (14°F to 131°F);
- Working Humidity: 0 to 95% (relative humidity);
- Panel: aluminum panel with sandblast;
- Product Weight: 0.25kg (0.55lb).



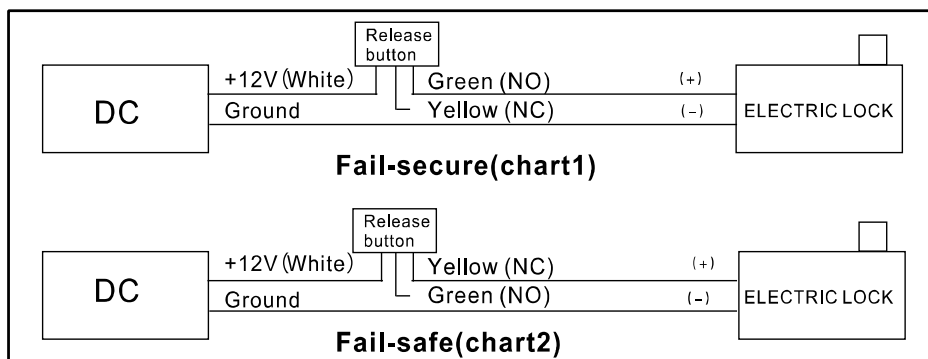
PACC-RP01

Dimension and Installation

Dimension

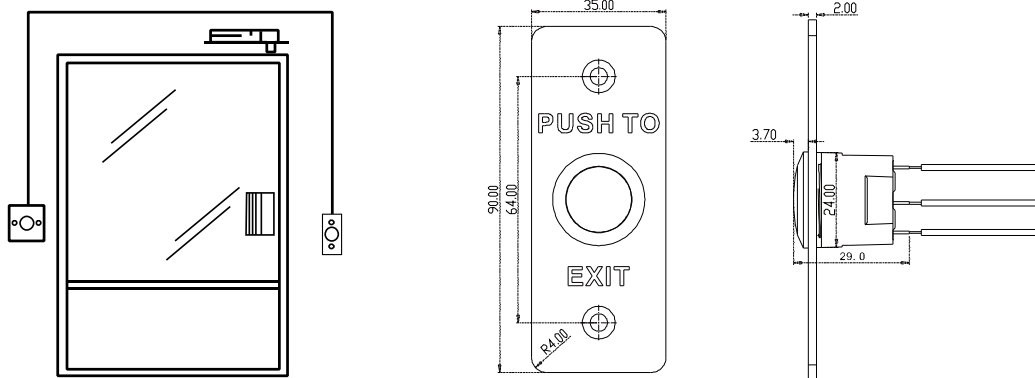
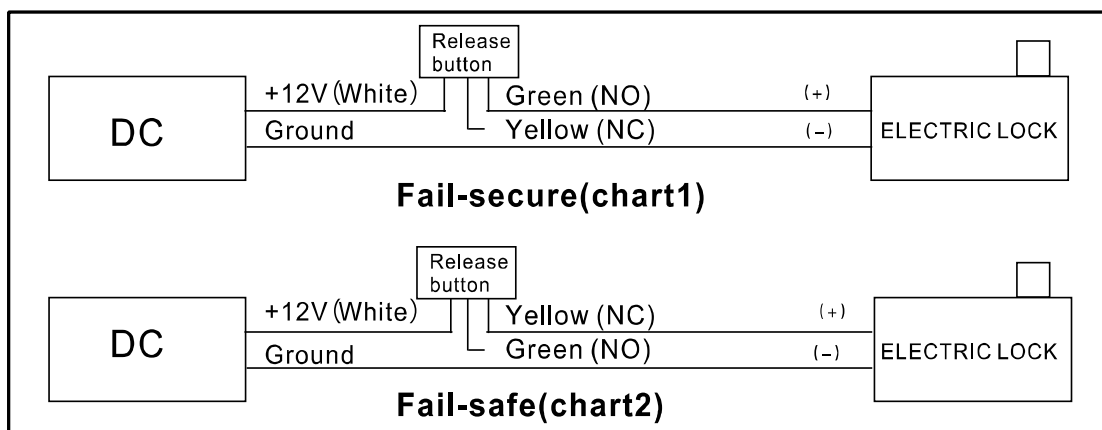


Installation



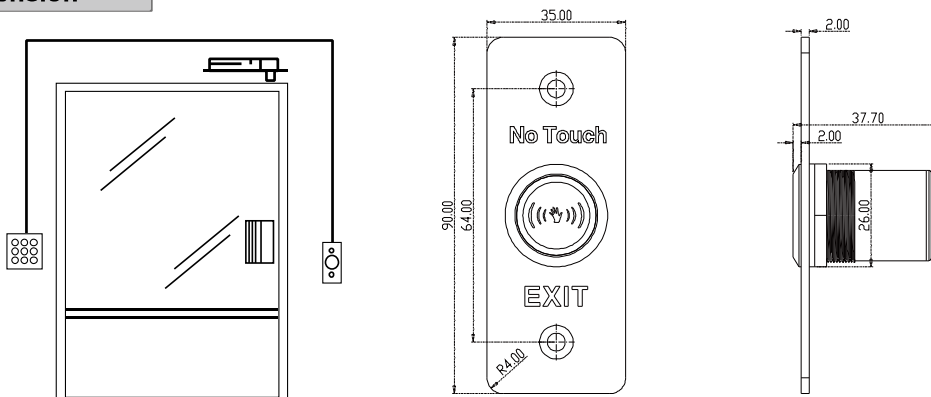
PACC-RP02**Features**

- Dimension(LxWxH): 90x35x28.9mm(3.54x1.38x1.14");
- Structure: aluminum alloy panel, metal button;
- Current Rating: 3A@36VDC Max;
- Output Contact: NO/NC/COM Contact;
- Aging Test: already passed the 500 thousand times aging test;
- Suitable Doors: hollow doorframe and embedded-electric box;
- Working Temperature: -10°C to +55°C (14°F to 131°F);
- Working Humidity: 0 to 95% (relative humidity);
- Panel: aluminum panel with sandblast;
- Product Weight: 0.20kg (0.44lb).

**PACC-RP02****Dimension and Installation****Dimension****Installation**

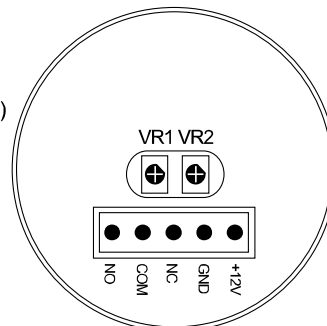
PACC-RP04**Features**

- T Dimension(LxWxH): 90x35x37.7mm(3.54x1.38x1.48");
- Input Voltage: DC12V;
- Working Current: 20mA(standby), 50mA(working current);
- Current Rating: 1A@30VDC,0.5A@125VAC;
- Output Contact: NO/NC/COM Contact;
- Panel: aluminum panel;
- Aging Test: already passed 1 million times aging test;
- Suitable Doors: all kinds of narrow doorframes;
- Working Temperature: -20°C to +50°C (-4°F to 122°F);
- Working Humidity: 0 to 95% (relative humidity);
- Maximum Inductive Distance: 40 to 100mm(1.57 to 3.94") (adjustable);
- LED Indicator Status: white/green/red LED, indicates power-off/active/Standby;
- Product Weight: 0.12kg (0.26lb).

**PACC-RP04****Dimension and Installation****Dimension****Installation**

Detection range: 4-10cm(Adjustable)

VR1 illustration:
 ⊕ The Farthest distance
 ⊕ The Nearest distance

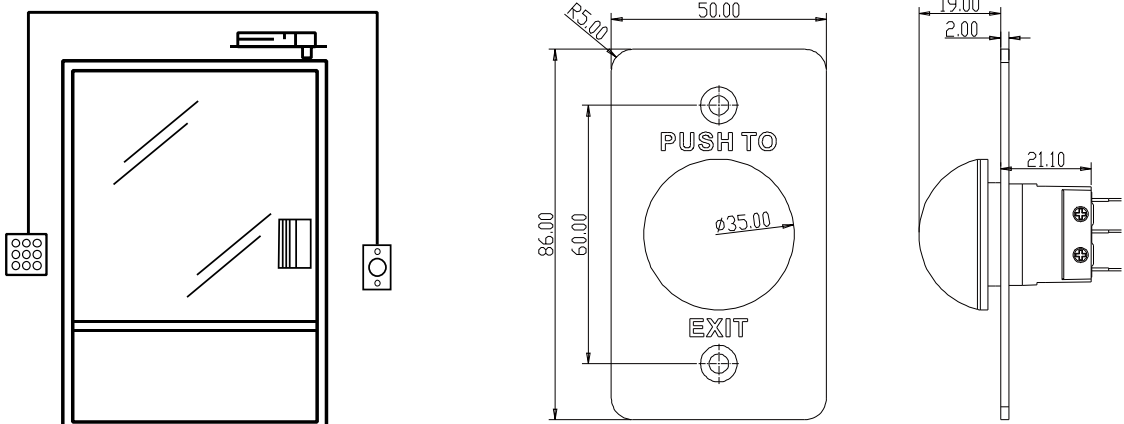
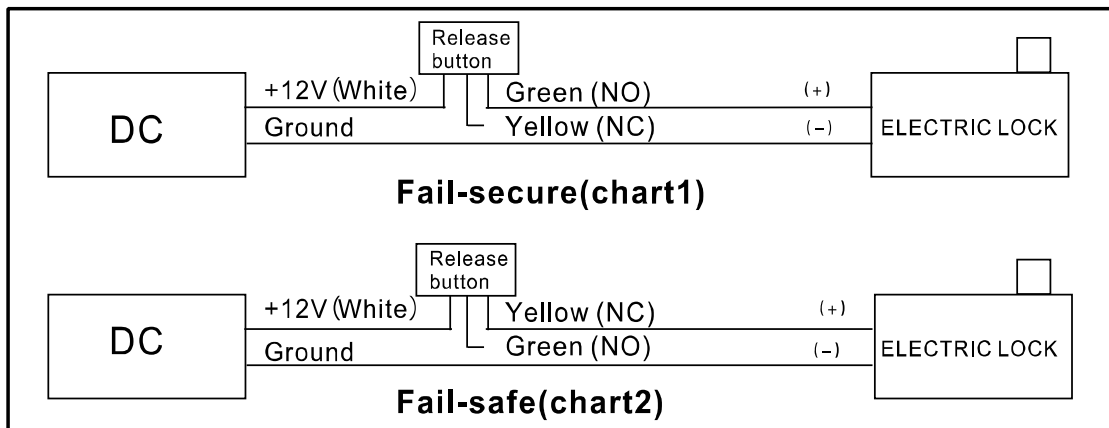


Time delay:0.5S~25S

VR2 illustration:
 ⊕ Min.time delay
 ⊕ Max.time delay

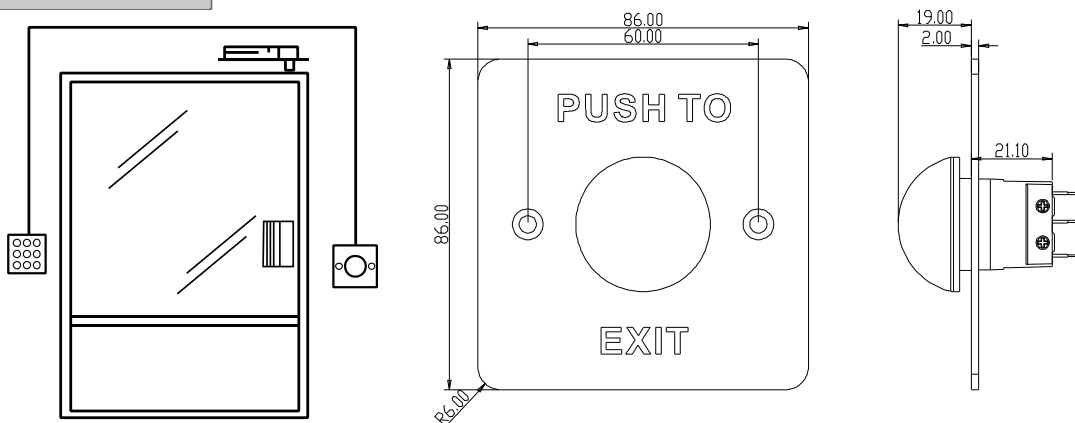
PACC-RP05**Features**

- Dimension(L×W×H): 86×50×44mm(3.39×1.97×1.73");
- Structure: stainless steel panel, metal button, metal bottom case;
- Current Rating: 3A@36VDC Max;
- Output Contact: NO/NC/COM contact;
- Aging Test: already passed 500 thousand times aging test;
- Accessories: equipped with metal bottom case;
- Suitable Doors: all kinds of doors;
- Working Temperature: -10°C to +55°C (14°F to 131°F);
- Working Humidity: 0 to 95% (relative humidity)
- Panel: brushed stainless steel panel;
- Bottom Case: polished zinc alloy with chromium electroplating;
- Product Weight: 0.14kg (0.31lb).

**PACC-RP05****Dimension and Installation****Dimension****Installation**

PACC-RP06**Features**

- Dimension(LxWxH): 87.7×87.7×44mm(3.46×3.46×2.13");
- Structure: stainless steel panel, metal button, metal bottom case;
- Current Rating: 3A@36VDC Max;
- Output Contact: NO/NC/COM Contact;
- Aging Test: already passed 500 thousand times aging test;
- Accessories: equipped with metal bottom case;
- Suitable Doors: all kinds of doors;
- Working Temperature: -10°C to +55°C (14°F to 131°F);
- Working Humidity: 0 to 95% (relative humidity);
- Panel: brushed stainless steel panel;
- Bottom Case: polished zinc alloy with chromium electroplating;
- Product Weight: 0.23kg (0.51lb).

**PACC-RP06****Dimension and Installation****Dimension****Installation**