

HD-TVI to HDMI/VGA/Composite Video Converter

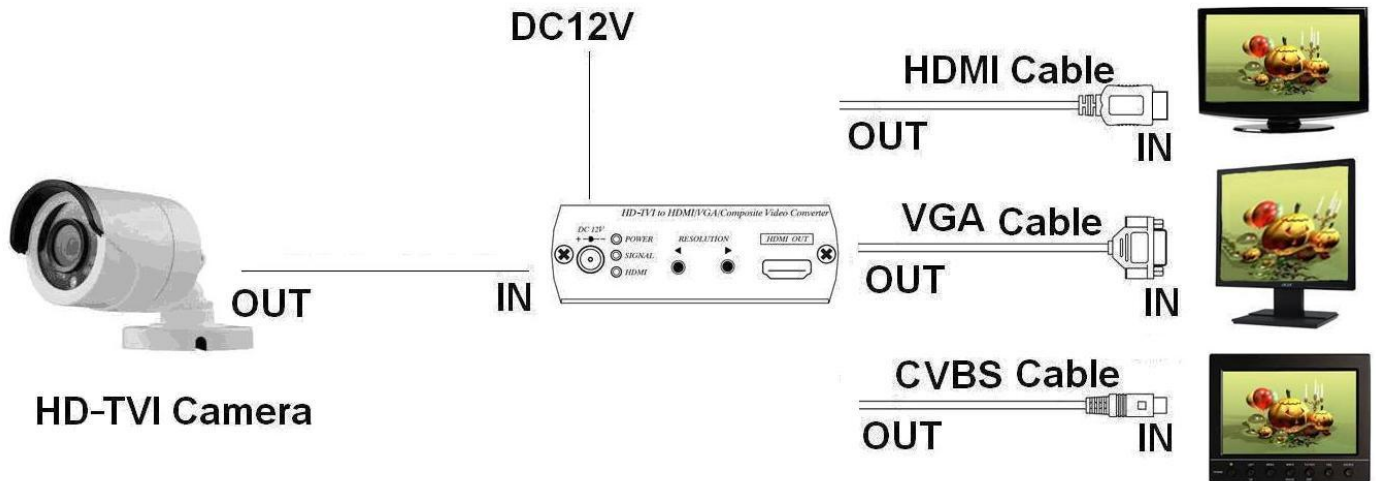
ITEM NO.: AD001TVI

AD001TVI converts HD-TVI signal to HDMI, VGA, Composite Video which enabling users to use cost effective HDMI/VGA/BNC monitor to display HD-TVI camera directly DVR. It also supports 3 different output displays at same time. It is perfect solution when user wants to display HD-TVI camera to different monitor without HD-TVI DVR.

Features:

- Converts HD-TVI signal to HDMI, VGA or analog composite video.
- Input Support: HD-TVI 720p@25/30/50/60Hz, HD-TVI 1080p@25/30Hz
- Output Support: HDMI, VGA, Composite Video,
- 3 outputs could be display simultaneously.
- HDMI/VGA output support: 480p,576p,720p,1080i,1080p
- Composite video output support NTSC, PAL. (CVBS)
- HDMI and DVI compliant. (Support DVI monitor by a HDMI to DVI adaptor)

Installation:



* 3 outputs could be display simultaneously

LED Indication:

POWER (Green Color) ON/OFF

SIGNAL (Blue color) ON/OFF: HD-TVI Signal Detection

HDMI (Red Color) ON/OFF: HDMI Output Linking

Button Function:

Press ▲ Resolution ▼ button to increase/decrease HDMI / VGA output resolution as below :

「▲」 Button use to decrease the resolution, 「▼」 button use to increase the resolution

Resolution for switch will be follow as below:

480p -> 576p -> 720p/60 -> 720p/50 -> 1080i/60 -> 1080i/50 -> 1080p/60 -> 1080p/50

Factory default output resolution is 480p

Composite Video output:

NTSC with HDMI/VGA output resolution: 480p, 720p/60, 1080i/60, 1080p/60

PAL with HDMI/VGA output resolution: 576p, 720p/50, 1080i/50, 1080p/50

Long Press (over one second) ▲ Resolution ▼ button to adjust Composite Video (CVBS) output screen picture dimension :

「▲」button use to reduce the screen picture, 「▼」button to enlarge the screen picture

This function is to avoid Overscan situation on CRT screen (Overscan is the situation in which not all of a televised image is present on a viewing screen) which cause picture enlarge and could not see the edge of screen. The reduce screen adjustment range could be from minimum 0% up to 20% based on each time 2% reduced.

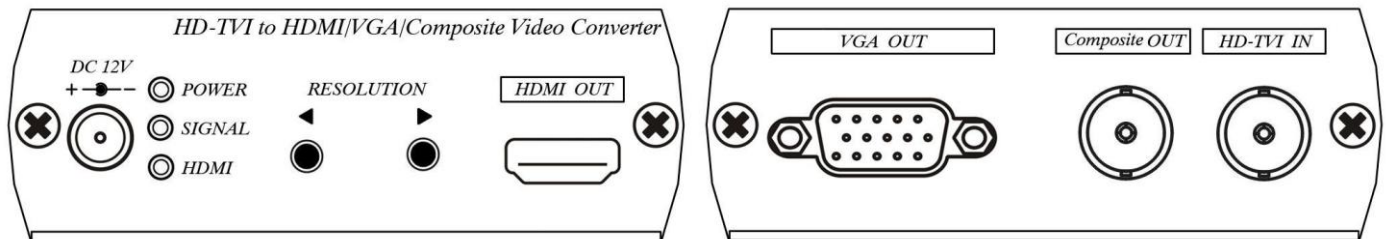
Factory Default is the maximum screen output (reduced to 0%)

Unplug power and hold to press Resolution ▲ button until power on, then release Resolution ▲ button:

The system will back to Default HDMI / VGA 480p output, CVBS as maximum picture output.

Panel View:

AD001TVI



Caution:

HDMI, VGA output resolution setting must be same. There are some HDMI, VGA resolution not supported, the monitor cannot display. Please use other supported resolution.

Specification:

ITEM NO	AD001TVI
Video Input	HD-TVI (720p@25/30/50/60Hz · 1080p@25/30Hz)
Video Output	HDMI & VGA (480p · 576p · 720p/50/60 · 1080i/50/60 · 1080p/50/60) · Composite video (NTSC · PAL)
Input Connector	BNC
Output Connector	HDMI Type-A · D-SUB 15 · BNC
Switch	Tact Switch x 2
Power Supply	12V 500mA
Power Consumption	300mA
Temperature	Operation: 0 to 55°C, Storage: -20 to 85°C, Humidity: up to 95%
Dimension mm	88 * 130 * 30
Weight g	250



Rev. A