

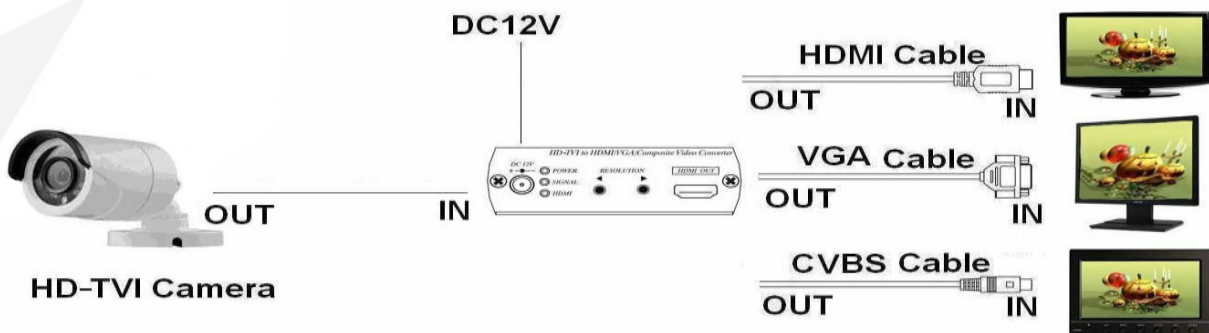
PTA-AD001TVI HD-TVI to HDMI/VGA/Composite Video Converter

PTA-AD001TVI converts HD-TVI signal to HDMI, VGA, Composite Video which enabling users to use cost effective HDMI/VGA/BNC monitor to display HD-TVI camera directly to DVR. It also supports 3 different output displays at the same time. It is a perfect solution when a user wants to display HD-TVI camera to different monitors without an HD-TVI DVR.



Features:

- Converts HD-TVI signal to HDMI, VGA or analog composite video.
- Input Support: HD-TVI 720p@25/30/50/60Hz, HD-TVI 1080p@25/30Hz
- Output Support: HDMI, VGA, Composite Video, 3 outputs could be displayed simultaneously.
- HDMI/VGA output support: 480p, 576p, 720p, 1080i, 1080p
- Composite video output support NTSC, PAL. (CVBS)
- HDMI and DVI compliant. (Support DVI monitor by a HDMI to DVI adaptor)



LED Indication:

*3 outputs could be display simultaneously

POWER	(Green Color) ON/OFF
SIGNAL	(Blue color) ON/OFF: HD-TVI Signal Detection
HDMI	(Red Color) ON/OFF: HDMI Output Linking
ButtonFunction:	Press Resolution button to increase/decrease HDMI / VGAoutput resolution as below : 「 」 Button use to decrease the resolution, 「 」 button use to increase the resolution
Resolution for switch will be as follows	480p-> 576p-> 720p/60-> 720p/50-> 1080i/60-> 1080i/50-> 1080p/60->1080p/50 Factory default output resolution is480p

Composite Video output:

NTSC with HDMI/VGAoutput resolution: 480p,720p/60, 1080i/60, 1080p/60

PAL with HDMI/VGAoutput resolution: 576p,720p/50, 1080i/50, 1080p/50

Long Press (over one second) Resolution Button to adjust Composite Video (CVBS) output screen picture dimension :

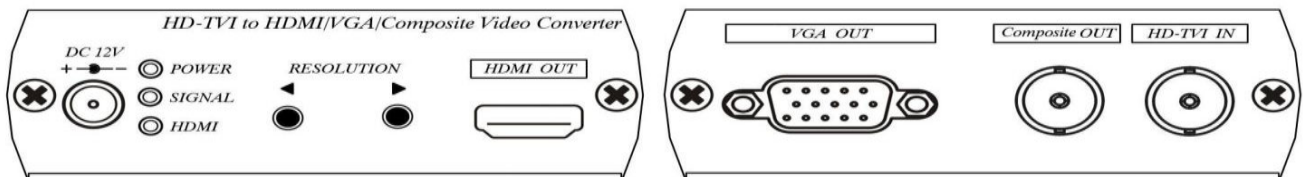
「 」 button use to reduce the screen picture, 「 」 button to enlarge the screen picture This function is to avoid Overscan situation on CRT screen (Overscan is the situation in which not all of a televised image is present on a viewing screen) which cause picture enlarge and could not see the edge of screen. The reduce screen adjustment range could be from minimum 0% up to 20% based on each time 2% reduced. Factory Default is the maximum screen output (reduced to 0%)

Unplug power and hold to press Resolution button until power on, then release resolution button:

The system will back to Default HDMI / VGA 480p output, CVBS as maximum picture output.

Panel View:

AD001TVI



Caution:

HDMI, VGA output resolution setting must be same. There are some HDMI, VGA resolution not supported, the monitor cannot display. Please use other supported resolution.

Specification:

ITEM NO	AD001TVI
Video Input	HD-TVI (720p@25/30/50/60Hz, 1080p@25/30Hz)
Video Output	HDMI & VGA (480p, 576p, 720p/50/60, 1080i/50/60, 1080p/50/60), Composite video(NTSC, PAL)
Input Connector	BNC
Output Connector	HDMI Type-A, D-SUB 15, BNC
Switch	Tact Switch x 2
Power Supply / Consumption	12V500mA / 300mA
Temperature	Operation: 0 to 55°C, Storage:-20 to 85°C, Humidity: up to 95%
Dimension (mm) Weight (g)	88 * 130 * 30 250