

## NC322-TD(A) 2 MP IR Fixed Dome Network Camera



### Key Features

- 1/2.8" Progressive Scan CMOS
- 1920 × 1080@30fps
- 2.8/4 mm fixed lens
- Color: 0.01 Lux @(F1.2, AGC ON), 0.028Lux @(F2.0, AGC ON);
- H.265+, H.265, H.264+, H.264
- 120 dB WDR
- 2 Behavior analyses
- BLC/3D DNR/ROI
- Built-in micro SD/SDHC/SDXC card slot, up to 128 GB
- 3-Axis adjustment

## Specifications

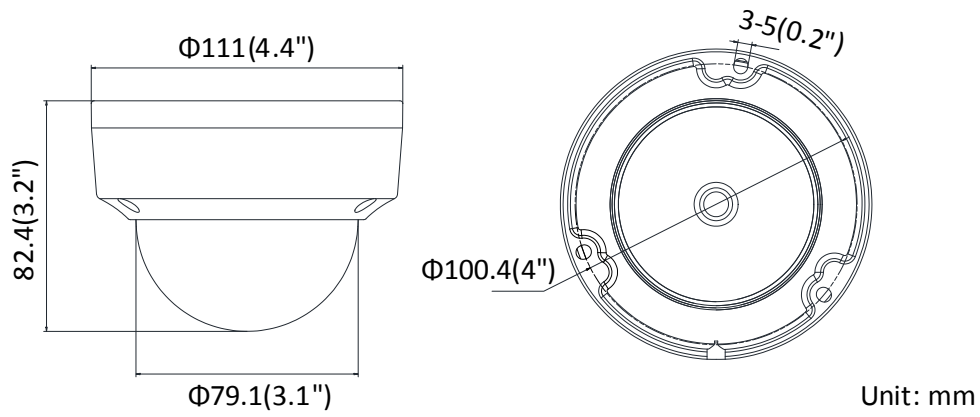
<b>Camera</b>	
Image Sensor	1/2.8" Progressive Scan CMOS
Min. Illumination	Color: 0.01 Lux @(F1.2, AGC ON), 0.028Lux @(F2.0, AGC ON); B/W: 0.001 Lux @(F1.2, AGC ON), 0.0028 Lux @(F2.0, AGC ON)
Shutter Speed	1/3 s to 1/100,000 s
Slow Shutter	Yes
Auto-Iris	No
Day & Night	IR Cut Filter
Digital Noise Reduction	3D DNR
WDR	120 dB
3-Axis Adjustment	Pan: 0° to 355°, tilt: 0° to 70°
<b>Lens</b>	
Focal Length	2.8/4/6 mm
Aperture	F2.0
Focus	Fixed
FOV	2.8 mm: horizontal FOV: 115°, vertical FOV: 62°, diagonal FOV: 136° 4 mm: horizontal FOV: 86°, vertical FOV: 47°, diagonal FOV: 103°
Lens Mount	M12
<b>IR</b>	
IR Range	2.8 mm, 4 mm: 20 meters
Wavelength	850nm
<b>Compression Standard</b>	
Video Compression	Main stream: H.265/H.264 Sub-stream: H.265/H.264/MJPEG
H.264 Type	Baseline Profile/Main Profile/High Profile
H.264+	Main stream supports
H.265 Type	Main Profile
H.265+	Main stream supports
Video Bit Rate	32 Kbps to 8 Mbps
Audio Compression (-A)	G.711/G.722.1/G.726/MP2L2/PCM
Audio Bit Rate (-A)	64Kbps(G.711)/16Kbps(G.722.1)/16Kbps(G.726)/32-192Kbps(MP2L2)
<b>Smart Feature-set</b>	
Behavior Analysis	Line crossing detection, intrusion detection
Region of Interest	1 fixed region for main stream
<b>Image</b>	
Max. Resolution	1920 × 1080
Main Stream	50Hz: 25fps (1920 × 1080, 1280 × 960, 1280 × 720) 60Hz: 30fps (1920 × 1080, 1280 × 960, 1280 × 720)
Sub-Stream	50Hz: 25fps (704 × 576, 640 × 480, 352 × 288, 320 × 240) 60Hz: 30fps (704 × 480, 640 × 480, 352 × 240, 320 × 240)
Image Enhancement	BLC/3D DNR
Image Settings	Rotate mode, saturation, brightness, contrast, sharpness adjustable by client software or web browser
Day/Night Switch	Day/Night/Auto/Schedule/Triggered by alarm in (-A)

<b>Network</b>	
Network Storage	Support built-in micro SD/SDHC/SDXC card (128G), local storage and NAS (NFS,SMB/CIFS), ANR
Alarm Trigger	Motion detection, video tampering, network disconnected, IP address conflict, illegal login, HDD full, HDD error
Protocols	TCP/IP, ICMP, HTTP, HTTPS, FTP, DHCP, DNS, DDNS, RTP, RTSP, RTCP, PPPoE, NTP, UPnP™, SMTP, SNMP, IGMP, 802.1X, QoS, IPv6, Bonjour
General Function	Anti-flicker, heartbeat, mirror, password protection, privacy mask, watermark, IP address filter
Firmware Version	V5.5.6
API	ONVIF (PROFILE S, PROFILE G), ISAPI
Simultaneous Live View	Up to 6 channels
User/Host	Up to 32 users 3 levels: Administrator, Operator and User
Client	CMS, Guarding vision
Web Browser	IE8+, Chrome 31.0-44, Firefox 30.0-51, Safari 8.0+
<b>Interface</b>	
Audio (-A)	1 input (line in), 1 output (line out), mono sound
Communication Interface	1 RJ45 10M/100M self-adaptive Ethernet port
Alarm (-A)	1 input, 1 output
On-board Storage	Built-in micro SD/SDHC/SDXC slot, up to 128 GB
Reset Button	Yes
<b>Wi-Fi</b>	
Wireless Standards	IEEE 802.11b/g/n
Frequency Range	2.4 GHz to 2.4835 GHz
Channel Bandwidth	20/40MHz
Protocols	802.11b: DQPSK, DBPSK, CCK 802.11g/n: 64-QAM, 16-QAM, QPSK, BPSK
Security	64/128-bit WEP, WPA/WPA2, WPA-PSK/WPA2-PSK, WPS
Transfer Rates	11b: 11Mbps, 11g: 54Mbps, 11n: 65Mbps
Wireless Range	50 m
<b>Audio (-A)</b>	
Environment Noise Filtering	Yes
Audio Sampling Rate	8 kHz/16 kHz/32 kHz/44.1 kHz/48 kHz
<b>General</b>	
Operating Conditions	-30 °C to +60 °C (-22 °F to +140 °F), humidity 95% or less (non-condensing)
Power Supply	12 VDC ± 25%, PoE (802.3af, class 3)
Power Consumption and Current	PoE: (802.3af, 36V-57V), 0.2 A to 0.1 A, max. 6.5W 12 VDC, 0.4 A, max. 5W
Protection Level	IP67
Material	Front cover: plastic, base: metal
Dimensions	Camera: Φ 111 × 82.4 mm (Φ 4.4" × 3.2") With package: 135× 135 × 110 mm (5.3" × 5.3" × 4.3")
Weight	Camera: approx. 400 g (0.9 lb.) With package: approx. 500 g (1.1 lb.)

## Available Models:

NC322-TD (2.8/4mm), NC322-TDA(2.8mm)

## Dimensions



## Accessories

