

## NC324-XDZ

### 4 MP IR VF Turret Network Camera



#### Key Features

- 1/3" Progressive Scan CMOS
- 2688 × 1520 @30fps
- 2.8 to 12 mm Varifocal lens
- Color: 0.01 Lux @ (F1.2, AGC ON),  
0.018 Lux @ (F1.6, AGC ON), 0 Lux with IR
- H.265+, H.265, H.264+, H.264
- Three streams
- 120dB WDR
- 2 Behavior analyses, and face detection
- BLC/3D DNR/ROI
- IP67, IK10
- Built-in micro SD/SDHC/SDXC card slot,  
up to 128 GB
- 3-Axis adjustment

## Specifications

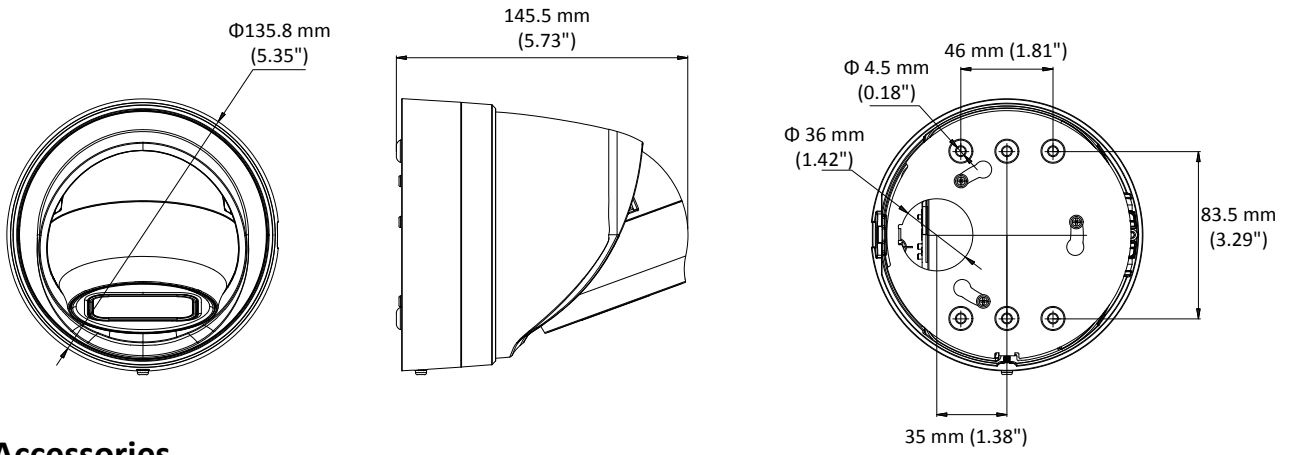
<b>Camera</b>	
Image Sensor	1/3" Progressive Scan CMOS
Min. Illumination	Color: 0.01 Lux @ (F1.2, AGC ON), 0.018 Lux @ (F1.6, AGC ON), 0 Lux with IR
Shutter Speed	1/3 s to 1/100,000 s
Slow Shutter	Yes
Auto-Iris	No
Day & Night	IR Cut Filter
Digital Noise Reduction	3D DNR
WDR	120dB
3-Axis Adjustment	Pan: 0° to 355°, tilt: 0° to 75°, rotate: 0° to 360°
<b>Lens</b>	
Focal length	2.8 to 12 mm
Aperture	F1.6
Focus	Auto
FOV	horizontal FOV: 104° to 29° vertical FOV: 55° to 17° diagonal FOV: 125° to 34°
Lens Mount	Φ14
<b>IR</b>	
IR Range	Up to 30 m
Wavelength	850nm
<b>Compression Standard</b>	
Video Compression	Main stream: H.265/H.264 Sub-stream: H.265/H.264/MJPEG Third stream: H.265/H.264
H.264 Type	Main Profile/High Profile
H.264+	Main stream and sub-stream support
H.265 Type	Main Profile
H.265+	Main stream and sub-stream support
Video Bit Rate	256 Kbps to 16 Mbps
Audio Compression	G.711/G.722.1/G.726/MP2L2/PCM
Audio Bit Rate	64Kbps(G.711)/16Kbps(G.722.1)/16Kbps(G.726)/32-192Kbps(MP2L2)
<b>Smart Feature-set</b>	
Behavior Analysis	Line crossing detection, intrusion detection
Face Detection	Yes
Region of Interest	1 fixed region for main stream and sub-stream
<b>Image</b>	
Max. Resolution	2688 × 1520
Main Stream	50Hz:25fps (2688 × 1520, 2560 × 1440, 2304 × 1296, 1920 × 1080) 60Hz: 30fps (2688 × 1520, 2560 × 1440, 2304 × 1296, 1920 × 1080)
Sub-Stream	50Hz: 25fps (640 × 480, 640 × 360, 320 × 240) 60Hz: 30fps (640 × 480, 640 × 360, 320 × 240)
Third Stream	50Hz: 25fps (1280 × 720, 640 × 360, 352 × 288) 60Hz: 30fps (1280 × 720, 640 × 360, 352 × 240)

Image Enhancement	BLC/3D DNR
Image Setting	Rotate mode, saturation, brightness, contrast, sharpness adjustable by client software or web browser
Target Cropping	No
Day/Night Switch	Auto/Schedule/Triggered by alarm in
<b>Network</b>	
Network Storage	Support Micro SD/SDHC/SDXC card (128G), local storage and NAS (NFS,SMB/CIFS), ANR
Alarm Trigger	Motion detection, video tampering, network disconnected, IP address conflict, illegal login, HDD full, HDD error
Protocols	TCP/IP, ICMP, HTTP, HTTPS, FTP, DHCP, DNS, DDNS, RTP, RTSP, RTCP, PPPoE, NTP, UPnP™, SMTP, SNMP, IGMP, 802.1X, QoS, IPv6, Bonjour
General Function	One-key reset, anti-flicker, three streams, heartbeat, mirror, password protection, privacy mask, watermark, IP address filter
API	ONVIF (PROFILE S, PROFILE G), ISAPI
Simultaneous Live View	Up to 6 channels
User/Host	Up to 32 users 3 levels: Administrator, Operator and User
Client	CMS, Guarding vision
Web Browser	IE8+, Chrome 31.0-44, Firefox 30.0-51, Safari 8.0+
<b>Interface</b>	
Audio	1 input (line in/mic.in, 3.5 mm), 1 output (line out, 3.5 mm), mono sound
Communication Interface	1 RJ45 10M/100M self-adaptive Ethernet port
Alarm	1 input, 1 output (up to 12 VDC, 30 mA), terminal block
Video Output	No
On-board storage	Built-in Micro SD/SDHC/SDXC slot, up to 128 GB
SVC	H.264 and H.265 encoding
Reset Button	Yes
<b>Audio</b>	
Environment Noise Filtering	Yes
Audio Sampling Rate	16 kHz/32 kHz/44.1 kHz/48 kHz
<b>General</b>	
Operating Conditions	-30 °C to +60 °C (-22 °F to +140 °F), Humidity 95% or less (non-condensing)
Power Supply	12 VDC ± 25%, terminal block PoE (802.3af, class 3)
Power Consumption and Current	12 VDC, 0.85A, max. 10W PoE (802.3af, 37V to 57V), 0.35A to 0.2A, max. 12.5W
Protection Level	IP67, IK10 TVS 2000V Lightning Protection, Surge Protection and Voltage Transient Protection
Material	Metal
Dimensions	Φ 135.8 × 145.5 mm (Φ 5.4" × 5.7")
Weight	Camera: Approx. 1200 g (2.6 lb.) With Package: Approx. 1580 g (3.5 lb.)

## Available Model:

NC324-XDZ

## Dimensions



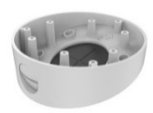
## Accessories



1473ZJ-135  
Wall Mount



1471ZJ-135  
Pendant Mount



1281ZJ-DM23  
Inclined Ceiling Mount



1475ZJ-SUS  
Vertical Pole Mount



1476ZJ-SUS  
Corner Mount



1473ZJ-135B  
Wall Mount  
with Junction Box