

HNC344-XDLU 4 MP ColorVu Fixed Turrent Network Camera



Key Features

- Max. 2688 × 1520 @30fps
- 4 mm/6 mm fixed lens
- H.265+, H.264+
- 120dB WDR
- Built-in mic (Optional)
- 12 VDC & PoE (802.3af, class 3)
- Built-in micro SD/SDHC/SDXC slot, up to 128G
- BLC/3D DNR/HLC/ROI
- 0.0014 @ (F1.0, AGC ON), 0 Lux with Light

Specification

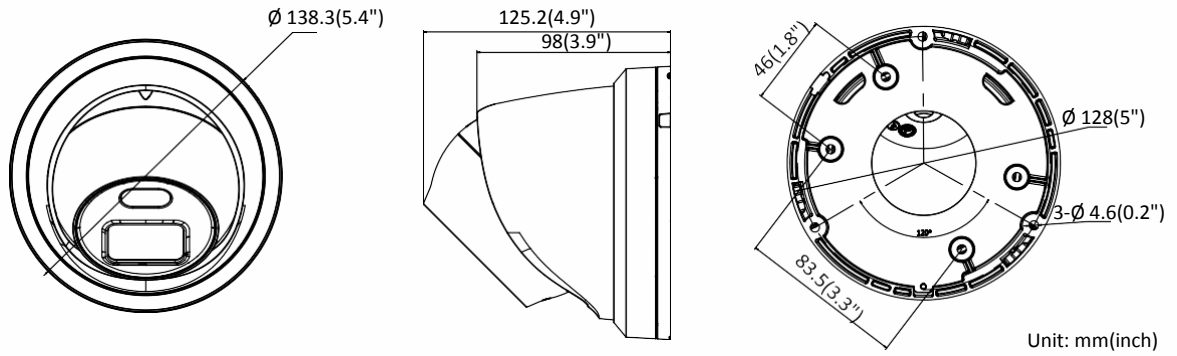
Camera	
Image Sensor	1/1.8" Progressive Scan CMOS
Min. Illumination	0.0014 @ (F1.0, AGC ON), 0 Lux with Light
Shutter Speed	1/3 s to 1/100,000 s
Slow Shutter	Yes
DNR	3D DNR
Wide Dynamic Range	120dB
Angle Adjustment	Pan: 0° to 360°, tilt: 0° to 75°, rotate: 0° to 360°
Lens	
Focal length	4/6 mm
Aperture	F1.0
Focus	Fixed
FOV	4 mm, horizontal FOV: 94°, vertical FOV: 48°, diagonal FOV: 115° 6 mm, horizontal FOV: 57°, vertical FOV: 31°, diagonal FOV: 67°
Lens Mount	M16
Compression Standard	
Video Compression	Main stream: H.265/H.264 Sub-stream: H.265/H.264/MJPEG Third stream: H.265/H.264
H.264 Type	Main Profile/High Profile
H.264+	Main stream supports
H.265 Type	Main Profile
H.265+	Main stream supports
Video Bit Rate	32 Kbps to 16 Mbps
Smart Feature-set	
Behavior Analysis	Line crossing detection, intrusion detection, object removal detection, unattended baggage detection
Exception Detection	Scene change detection
Face Detection	Yes
Image	
Max. Resolution	2688 × 1520
Main Stream	50Hz: 25fps (2688 × 1520, 2560 × 1440, 2304 × 1296, 1920 × 1080, 1280 × 720) 60Hz: 30fps (2688 × 1520, 2560 × 1440, 2304 × 1296, 1920 × 1080, 1280 × 720)
Sub-Stream	50Hz: 25fps (640 × 480, 640 × 360, 320 × 240) 60Hz: 30fps (640 × 480, 640 × 360, 320 × 240)
Third stream	50Hz: 25fps (1280 × 720, 640 × 360, 352 × 288) 60Hz: 30fps (1280 × 720, 640 × 360, 352 × 240)
Image Enhancement	BLC/3D DNR/HLC
Image Settings	Rotate mode, saturation, brightness, contrast, sharpness, AGC, white balance adjustable by client software or web browser
Day/Night Switch	Day/Night
ROI (Region of Interest)	Support 1 fixed region for main stream and sub-stream separately
Audio (-U)	
Environment Noise Filtering	Yes
Sampling Rate	8kHz/16kHz/32kHz/44.1kHz/48kHz

Audio Compression	G.711/G.722.1/G.726/MP2L2/PCM
Audio Bit Rate	64Kbps(G.711)/16Kbps(G.722.1)/16Kbps(G.726)/32-160Kbps(MP2L2)
Network	
Network Storage	Support micro SD/SDHC/SDXC card (128G) local storage, NAS (NFS,SMB/CIFS), ANR
Alarm Trigger	Motion detection, video tampering detection, network disconnected, IP address conflict, illegal login, HDD full, HDD error
Protocols	TCP/IP, ICMP, HTTP, HTTPS, FTP, DHCP, DNS, DDNS, RTP, RTSP, RTCP, PPPoE, NTP, UPnP, SMTP, SNMP, IGMP, 802.1X, QoS, IPv6, UDP, Bonjour
General Function	One-key reset, anti-flicker, three streams, heartbeat, mirror, password protection, privacy mask, watermark, IP address filter
Firmware Version	V5.5.82
API	ONVIF (PROFILE S, PROFILE G), ISAPI
Simultaneous Live View	Up to 6 channels
User/Host	Up to 32 users 3 levels: Administrator, Operator and User
Client	iVMS-4200, Hik-Connect, iVMS-4500, iVMS-5200
Web Browser	Plug-in required live view: IE8+, Chrome 41.0-44, Firefox 30.0-51, Safari 8.0-11 Plug-in free live view: Chrome 45.0+, Firefox 52.0+
Interface	
Communication Interface	1 RJ45 10M/100M self-adaptive Ethernet port
On-board Storage	Built-in micro SD/SDHC/SDXC slot, up to 128 GB
Reset Button	Yes
Audio (-U)	1 audio input (built-in mic), mono sound
General	
Operating Conditions	-30 °C to +60 °C (-22 °F to +140 °F), humidity 95% or less (non-condensing)
Power Supply	12 VDC ± 25%, 5.5 mm coaxial power plug PoE (802.3af, class 3)
Power Consumption	12 VDC, 0.5 A, max. 6 W PoE: (802.3af, 36 V to 57 V), 0.3 A to 0.1 A, max. 7.5 W
Visible Light Range	Up to 30m
Protection Level	-L model: IP67 -LU model: IP66
Material	Camera: Metal, trim ring: Plastic
Dimension	Camera: Φ 138.3 × 125.2 mm (Φ 5.4" × 4.9") With package: 170 × 170 × 150 mm (7" × 7" × 5.9")
Weight	Camera: 575 g (1.3 lb.) With package: 833 g (1.8 lb.)

Available Model

HNC344-XDLU

Dimension



Accessory



HTH-273ZJ-140
Wall Mount



HTH-271ZJ-140
Pendant Mount



HTH-280ZJ-DM21
Junction Box