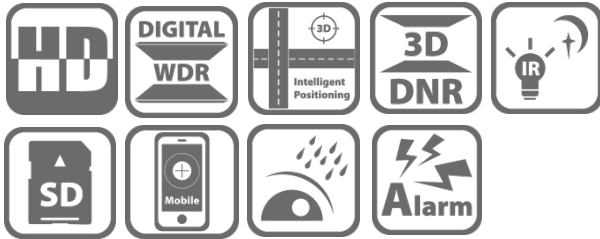




HNP312-IR 2MP 20X Network IR PTZ Dome Camera



HNP312-IR PTZ Dome Cameras are embedded with 1/2.8" progressive scan CMOS chip, which makes DWDR and 2MP real-time resolution possible. With the 20X optical zoom Day/Night lens, the camera offers more details over expansive areas.

HNP312-IR PTZ Dome Cameras also features a wide range of functions, including intrusion detection, line crossing detection, and audio exception, benefitting users with great improvement on security efficiency, more importantly, with key events / objects being recorded for further forensic needs.

Key Features

- 1/2.8" Progressive Scan CMOS
- 1920 x 1080
- 20X Optical Zoom
- DWDR
- 3D intelligent positioning function
- Support cloud P2P
- Up to 150m IR distance
- Hi-PoE / 24VAC power supply

Function Description

Basic function

- High performance CMOS, up to 1920 x 1080 @30fps resolution.
- Support 960p@60fps, 720p@60fps
- $\pm 0.1^\circ$ Preset Accuracy.
- ONVIF(Open Network Video Interface Forum), CGI(Common Gateway Interface), PSIA(Physical Security Interoperability Alliance), to ensure greater interoperability between different platforms and compatibility.
- 3D intelligent positioning function.
- 3D DNR.
- IP66 standard
- 2 alarm inputs and 1 alarm outputs, alarm linkage support preset, patrol, pattern, recording, relay output, upload center, etc..
- 1 audio input and 1 audio output.

Smart Function

- Smart image processing: support defog, HLC/BLC.
- Smart codec: low bit rate, ROI.
- Smart detection: support intrusion detection, line crossing detection, audio exception detection.

Camera function

- Auto iris, auto focus, auto white balance, backlight compensation and auto day & night switch.
- Min. Illumination: Color: 0.05Lux @ (F1.6, AGC ON), B/W: 0.01Lux @ (F1.6, AGC ON), 0 lux with IR.
- Support 8 privacy masks.

PTZ functions

- 360° endless pan range and -15°-90° tilt range
- 240°/s Pan Preset Speed and 200°/s Tilt Preset Speed
- 0.1°-160°/s Manual Pan Speed and 0.1°-120°/s Manual Tilt Speed
- 300 presets programmable; preset image freezing capability
- 8 patrols, up to 32 presets per patrol Park action.
- Power-off memory: restore PTZ & Lens status after reboot.

Network function

- H.264/MJPEG video compression.
- H.264 encoding with Baseline/Main/High profile.
- ROI(Region of Interest) encoding.
- Built-in Web server.
- Onboard storage, up to 128GB.
- Support up to 8 NAS storage; Edge recording (transmit the videos from SD card to the NAS after network resumed).
- HTTPS encryption and IEEE 802.1X port-based network access control.
- Support three streams.
- Multiple network protocols supported: IPv4/Ipv6, HTTP, HTTPS, 802.1X, QoS, FTP, SMTP, UPnP, SNMP, DNS, DDNS, NTP, RTSP, RTP, TCP, UDP, IGMP, ICMP, DHCP, PPPoE.

Specifications

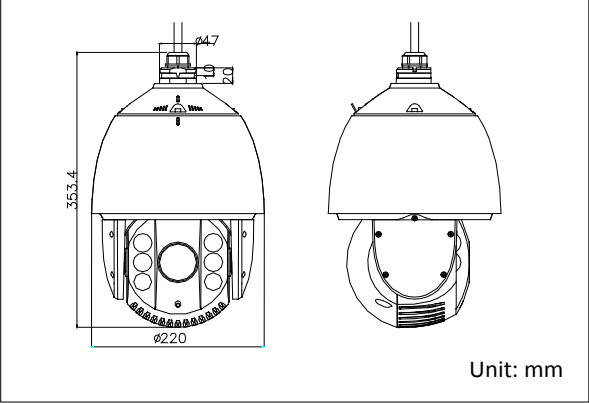
Model	HNP312-IR
Camera Module	
Image Sensor	1/2.8" Progressive Scan CMOS
Min. Illumination	F1.6, AGC On: Color: 0.05 lux, B/W : 0.01lux, 0 lux with IR
Max. Image Resolution	1920 x 1080
Focal Length	4.3-94.0mm, 20x
Digital Zoom	16X
Zoom Speed	Approx.3s(Optical Wide~Tele)
Angle of View	61.4-2.9 degree (Wide~Tele)
Min. Working Distance	10~1,000mm(Wide~Tele)
Aperture Range	F1.6-F3.5
Focus Mode	Auto / Semiautomatic / Manual
DWDR	Support
Shutter Time	1-1/10,000s
AGC	Auto / Manual
White Balance	Auto / Manual /ATW/Indoor/Outdoor/Daylight lamp/Sodium lamp
Day & Night	IR Cut Filter
Privacy Mask	8 privacy masks programmable
Enhancement	3D DNR, Defog, HLC/BLC
Pan and Tilt	
Range	Pan:360° endless; Tilt: -15°~90°(Auto Flip)
Speed	Pan Manual Speed: 0.1°~160°/s, Pan Preset Speed: 240°/s Tilt Manual Speed: 0.1°~120°/s, Tilt Preset Speed: 200°/s
Number of Preset	300
Patrol	8 patrols, up to 32 presets per patrol
Pattern	4 pattern scans, record time over 10 minutes for each scan
Park Action	Preset / Patrol / Pattern / Pan scan / Tilt scan / Random scan / Frame scan / Panorama scan
Scheduled Task	Auto scan / Frame scan / Random scan / Patrol / Pattern / Preset / Panorama scan / Tilt scan / Dome reboot / Dome adjust / Aux output
Features	
Detection	Intrusion detection, Line crossing detection, Audio exception detection, Motion detection
ROI encoding	Support
Infrared	
IR Distance	Up to 150m
IR Intensity	Automatically adjusted, depending on the zoom ratio

Alarm	
Alarm I/O	2/1
Alarm Trigger	Tampering alarm, Network disconnect, IP address conflict, Storage exception
Alarm Action	Preset, Patrol, Pattern, Recording, Relay output, Upload center, Upload FTP, Email linkage
Input/Output	
Audio Input	1 Mic in/Line in interface, line input: 2-2.4V[p-p]; output impedance: 1K Ω , \pm 10%
Audio Output	1 Audio output interface, line level, impedance: 600 Ω
Network	
Ethernet	10Base-T / 100Base-TX, RJ45 connector
Stream	Support three streams
Main Stream	50Hz:25fps (1920 \times 1080,1280 \times 960,1280 \times 720), 50fps (1280 \times 960,1280 \times 720) ; 60Hz: 30fps(1920 \times 1080,1280 \times 960,1280 \times 720), 60fps (1280 \times 960,1280 \times 720)
Sub Stream	50Hz:25fps(704 \times 576,640 \times 480,352 \times 288);60Hz:30fps(704 \times 480,640 \times 480,352 \times 240)
Three Stream	50Hz:25fps (1920 \times 1080,1280 \times 960,1280 \times 720,704 \times 576,640 \times 480,352 \times 288); 60Hz: 30fps(1920 \times 1080,1280 \times 960,1280 \times 720,704 \times 480,640 \times 480,352 \times 240)
Image Compression	H.264/MJPEG
Audio Compression	G.711ulaw/G.711alaw/G.726/MP2L2/G.722
Protocols	IPv4/IPv6, HTTP, HTTPS, 802.1X, QoS, FTP, SMTP, UPnP, SNMP, DNS, DDNS, NTP, RTSP, RTP, TCP, UDP, IGMP, ICMP, DHCP, PPPoE
Simultaneous Live View	Up to 20 users
Mini SD Memory Card	Support up to 128GB Micro SD/SDHC/SDXC card. Support Edge recording
User/Host Level	Up to 32 users,3 Levels: Administrator, Operator and User
Security Measures	User authentication (ID and PW); Host authentication (MAC address); IP address filtering
System Integration	
Application programming	Open-ended API, support ONVIF, PSIA and CG , Support cloud P2P
Web Browser	IE 7+, Chrome 18 +, Firefox 5.0 +, Safari 5.02 +
Power	High-PoE&24 VAC, Max.40W
Working Temperature	-30 $^{\circ}$ C ~ 65 $^{\circ}$ C (-22 $^{\circ}$ F ~ 149 $^{\circ}$ F)
Humidity	90% or less
Protection Level	IP66, TVS 4,000V lightning protection, surge protection and voltage transient protection
Certification	FCC, CE, UL, RoHS, IEC/EN 61000, IEC/EN 55022, IEC/EN 55024, IEC /EN60950-1
Dimensions	Φ 220 \times 353.4mm (Φ 8.66" \times 13.91")
Weight (approx.)	4.5kg(9.92lbs)

Order Models

- HNP312-IR, Hi-PoE, 24VAC, Outdoor

Dimensions



Unit: mm