

## PNC322-VBZ 2 MP IR VF Bullet Network Camera



### Key Features

- 1/2.8" Progressive Scan CMOS
- 1920 × 1080@30fps
- 2.8 to 12 mm varifocal lens
- Color: 0.01 Lux @(F1.2, AGC ON), 0.028Lux @(F2.0, AGC ON);
- H.265+, H.265, H.264+, H.264
- 120dB WDR
- 2 Behavior analyses
- BLC/3D DNR/ROI
- Built-in microSD/SDHC/SDXC card slot, up to 128 GB

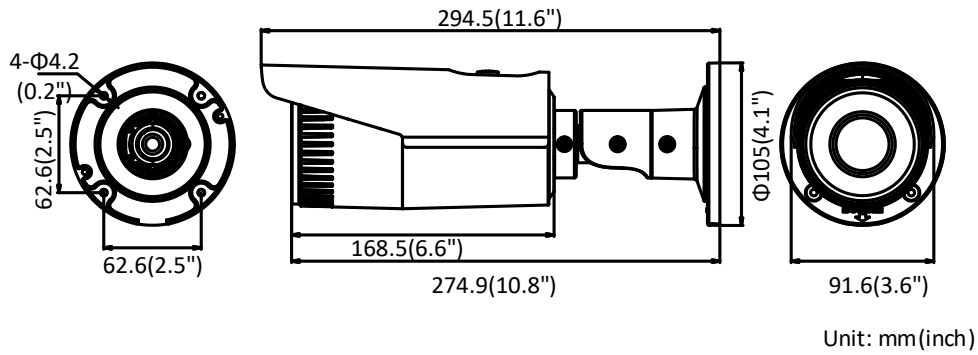
## Specifications

| <b>Camera</b>               |  |
|-----------------------------|--|
| Image Sensor                | 1/2.8" Progressive Scan CMOS   |
| Min. Illumination           | Color: 0.01 Lux @(F1.2, AGC ON), 0.028Lux @(F2.0, AGC ON), 0 Lux with IR                               |
| Shutter Speed               | 1/3 s to 1/100,000 s   |
| Slow Shutter                | Yes  |
| Auto-Iris                   | No   |
| Day & Night                 | IR Cut Filter  |
| Digital Noise Reduction     | 3D DNR   |
| WDR                         | 120 dB   |
| 3-Axis Adjustment           | Pan: 0° to 360°, tilt: 0° to 100°, rotation: 0° to 360°  |
| <b>Lens</b>                 |  |
| Focal Length                | 2.8 to 12 mm   |
| Aperture                    | F2.0   |
| Focus                       | -Z: Auto<br>Without -Z: Manual   |
| FOV                         | Horizontal FOV: 99.6° to 35°, vertical FOV: 53.5° to 20°, diagonal FOV: 118.6° to 40.2°                |
| Lens Mount                  | Φ14  |
| <b>IR</b>                   |  |
| IR Range                    | Up to 30 m   |
| Wavelength                  | 850nm  |
| <b>Compression Standard</b> |  |
| Video Compression           | Main stream: H.265/H.264<br>Sub-stream: H.265/H.264/MJPEG  |
| H.264 Type                  | Baseline Profile/Main Profile/High Profile   |
| H.264+                      | Main stream supports   |
| H.265 Type                  | Main Profile   |
| H.265+                      | Main stream supports   |
| Video Bit Rate              | 32 Kbps to 8 Mbps  |
| Audio Compression (-S)      | G.711/G.722.1/G.726/MP2L2/PCM  |
| Audio Bit Rate (-S)         | 64Kbps(G.711)/16Kbps(G.722.1)/16Kbps(G.726)/32-192Kbps(MP2L2)  |
| <b>Smart Feature-set</b>    |  |
| Behavior Analysis           | Line crossing detection, intrusion detection   |
| Region of Interest          | 1 fixed region for main stream   |
| <b>Image</b>                |  |
| Max. Resolution             | 1920 × 1080  |
| Main Stream                 | 50Hz: 25fps (1920 × 1080, 1280 × 960, 1280 × 720)<br>60Hz: 30fps (1920 × 1080, 1280 × 960, 1280 × 720) |
| Sub-Stream                  | 50Hz: 25fps (640 × 480, 640 × 360, 320 × 240)<br>60Hz: 30fps (640 × 480, 640 × 360, 320 × 240)         |
| Image Enhancement           | BLC/3D DNR   |
| Image Settings              | Rotate mode, saturation, brightness, contrast, sharpness adjustable by client software or web browser  |
| Target Cropping             | No   |
| Day/Night Switch            | Day/Night/Auto/Schedule/Triggered by alarm in  |

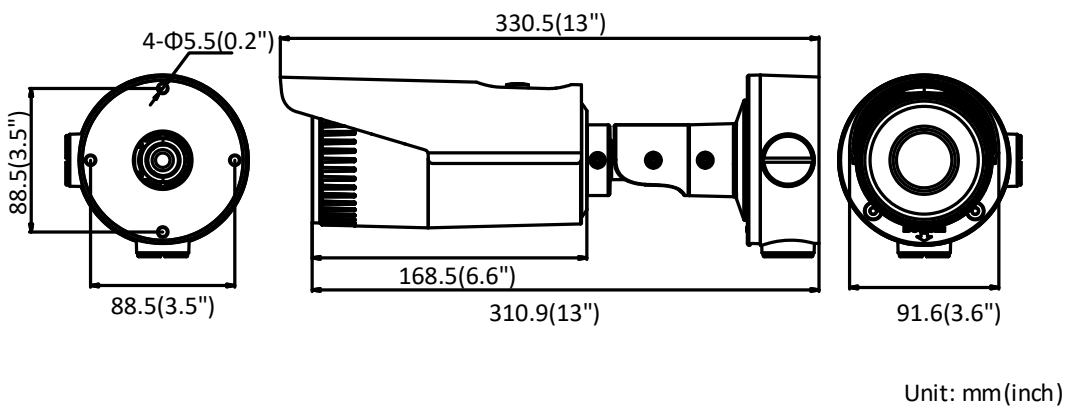
| <b>Network</b>                |   |
|-------------------------------|---|
| Network Storage               | Support built-in microSD/SDHC/SDXC card (128G), local storage and NAS (NFS,SMB/CIFS), ANR   |
| Alarm Trigger                 | Motion detection, video tampering, network disconnected, IP address conflict, illegal login, HDD full, HDD error  |
| Protocols                     | TCP/IP, ICMP, HTTP, HTTPS, FTP, DHCP, DNS, DDNS, RTP, RTSP, RTCP, PPPoE, NTP, UPnP™, SMTP, SNMP, IGMP, 802.1X, QoS, IPv6, Bonjour   |
| General Function              | One-key reset, anti-flicker, heartbeat, mirror, password protection, privacy mask, watermark, IP address filter   |
| Firmware Version              | V5.5.6  |
| API                           | ONVIF (PROFILE S, PROFILE G), ISAPI   |
| Simultaneous Live View        | Up to 6 channels  |
| User/Host                     | Up to 32 users<br>3 levels: Administrator, Operator and User  |
| Client                        | iVMS-4200, Hik-Connect, iVMS-5200, iVMS-4500  |
| Web Browser                   | IE8+, Chrome 31.0-44, Firefox 30.0-51, Safari 8.0+  |
| <b>Interface</b>              |   |
| Audio                         | 1 input (line in), 1 output (line out), mono sound  |
| Communication Interface       | 1 RJ45 10M/100M self-adaptive Ethernet port   |
| Alarm                         | 2 inputs, 2 outputs   |
| Video Output                  | CVBS  |
| On-board Storage              | Built-in micro SD/SDHC/SDXC slot, up to 128 GB  |
| SVC                           | H.264 and H.265 encoding support  |
| Reset Button                  | Yes   |
| <b>Audio</b>                  |   |
| Environment Noise Filtering   | Yes   |
| Audio Sampling Rate           | 8 kHz/16 kHz/32 kHz/44.1 kHz/48 kHz   |
| <b>General</b>                |   |
| Operating Conditions          | -30 °C to +60 °C (22 °F to +140 °F), humidity 95% or less (non-condensing)  |
| Power Supply                  | 12 VDC ± 25%, Φ 5.5 mm coaxial plug power<br>PoE (802.3af, class 3)   |
| Power Consumption and Current | -Z:<br>12 VDC, 0.9 A, max. 11 W<br>PoE: (802.3af, 36V-57V), 0.4 A to 0.2 A, max. 12.9 W<br>Without -Z:<br>12 VDC, 0.6 A, max. 7W<br>PoE: (802.3af, 36V-57V), 0.3 A to 0.1 A, max. 9 W |
| Protection Level              | IP67  |
| Material                      | Metal   |
| Dimensions                    | Φ 105 × 294.5 mm (Φ 4.1" × 11.6")   |
| Weight                        | Camera: approx. 1050 g (2.3 lb.)<br>With package: approx. 1500 g (3.3 lb.)  |

**Available Models:**  
PNC322-VBZ

## Dimensions



Without Junction Box



With Junction Box

## Accessories



P-275ZJ  
Vertical Pole Mounting



P-276ZJ  
Corner Mounting

