

PNC324-WDA 4 MP IR Fixed Mini Dome Network Camera




Key Features

- 2688 × 1520 @30fps
- IR: Up to 10 m
- H.265+. H.265
- 120dB WDR
- Built-in MicroSD/SDHC/SDXC slot, up to 128G
- PoE
- BLC/3D DNR/HLC/ROI
- Wi-Fi (Optional)
- Color: 0.01 Lux @(F1.2, AGC ON), 0.018 lux @(F1.6, AGC ON), 0 lux with IR

Specifications

Camera	
Image Sensor	1/3" Progressive Scan CMOS
Min. Illumination	Color: 0.01 Lux @ (F1.2, AGC ON), 0.018 lux @(F1.6, AGC ON), 0 lux with IR
Shutter Speed	1/3 s to 1/100,000 s
Slow Shutter	Yes
Day & Night	IR Cut Filter
Digital Noise Reduction	3D DNR
WDR	120dB
3-Axis Adjustment	Pan: -30° to +30°, tilt: 0° to 75°, rotate: 0° to 360°
Lens	
Focal Length	2.8, 4, 6 mm
Aperture	F1.6
FOV	2.8 mm, Horizontal field of view: 98°, Vertical field of view: 55°, Diagonal field of view: 114° 4 mm, Horizontal field of view: 78°, Vertical field of view: 42°, Diagonal field of view: 93° 6 mm, Horizontal field of view: 48°, Vertical field of view: 27°, Diagonal field of view: 54°
Lens Mount	M12
IR	
IR Range	Up to 10 m
Wavelength	850nm
Compression Standard	
Video Compression	Main stream: H.265/H.264 Sub-stream: H.265/H.264/MJPEG Third stream: H.265/H.264
H.264 Type	Main Profile/High Profile
H.264+	Main stream supports
H.265 Type	Main Profile
H.265+	Main stream supports
Video Bit Rate	32 Kbps to 16 Mbps
Audio Compression	G722.1/G711ulaw/G711alaw/G726/MP2L2/PCM
Audio Bit Rate	64Kbps(G.711)/16Kbps(G.722.1)/16Kbps(G.726)/32-192Kbps(MP2L2)
Smart Feature-set	
Behavior Analysis	Line crossing detection, intrusion detection
Face Detection	Yes
Region of Interest	Support 1 fixed region for main stream and sub-stream separately
Image	
Max. Resolution	2688 × 1520
Main Stream	50Hz: 25fps (2688 × 1520, 2560 × 1440, 2304 × 1296, 1920 × 1080) 60Hz: 30fps (2688 × 1520, 2560 × 1440, 2304 × 1296, 1920 × 1080)
Sub-Stream	50Hz: 25fps (640 × 480, 640 × 360, 320 × 240) 60Hz: 30fps (640 × 480, 640 × 360, 320 × 240)
Third Stream	50Hz: 25fps (1280 × 720, 640 × 360, 352 × 288) 60Hz: 30fps (1280 × 720, 640 × 360, 352 × 240)
Image Settings	Rotate mode, saturation, brightness, contrast, sharpness and white balance adjustable by client software or web browser

Image Enhancement	BLC/3D DNR/HLC
Day/Night Switch	Auto/Schedule/Day/Night/Triggered by Alarm In (-S model)
Network	
Network Storage	Support MicroSD/SDHC/SDXC card (128G), local storage and NAS (NFS,SMB/CIFS), ANR
Alarm Trigger	Motion detection, video tampering, network disconnected, IP address conflict, HDD full, HDD error, illegal login
Protocols	TCP/IP, ICMP, HTTP, HTTPS, FTP, DHCP, DNS, DDNS, RTP, RTSP, RTCP, PPPoE, NTP, UPnP™, SMTP, SNMP, IGMP, QoS, IPv6
General Function	One-key reset, anti-flicker, three streams, heartbeat, mirror, password protection, privacy mask, watermark, IP address filter
Firmware Version	V5.5.80
API	ONVIF (PROFILE S, PROFILE G), ISAPI
Simultaneous Live View	Up to 6 channels
User/Host	Up to 32 users 3 levels: Administrator, Operator and User
Client	iVMS-4200, Hik-Connect, iVMS-5200, iVMS-4500
Web Browser	Plug-in required live view: IE8+, Chrome 41.0-44, Firefox 30.0-51, Safari 8.0-11 Plug-in free live view: Chrome 45.0+, Firefox 52.0+
Interface	
Audio (-S model)	2 Inputs: line in, or mic in (built-in microphone), 1 Output: line out, mono sound, terminal block
Alarm (-S model)	1 Input: Alarm in, 1 Output: Alarm out (max. 12 VDC, 30 mA), terminal block
Communication Interface	1 RJ45 10M/100M self-adaptive Ethernet port
On-board storage	Built-in Micro SD/SDHC/SDXC slot, up to 128G
SVC	Support H.264 and H.265 encoding
Reset Button	Yes
Wi-Fi (-W model)	
Wireless Standards	IEEE 802.11b/g/n
Frequency Range	2.412 GHz to 2.4835 GHz
Channel Bandwidth	20M/40M
Protocols	802.11b: DQPSK, DBPSK, CCK 802.11g/n: OFDM /64-QAM,16-QAM, QPSK, BPSK
Security	WPA, WPA2
Transfer Rates	11b: 11Mbps, 11g: 54Mbps, 11n: up to 150Mbps
Wireless Range	50 m
Audio (-S model)	
Environment Noise Filtering	Yes
Audio Sampling Rate	16 kHz, 32kHz, 44.1kHz, 48kHz
General	
Operating Conditions	-30 °C to +60 °C (-22 °F to +140 °F), Humidity 95% or less (non-condensing)
Power Supply	12 VDC ± 25%, PoE (802.3af, class 3)
Power Consumption and Current	12 VDC, 0.7 A, max. 8.5 W, Φ 5.5mm coaxial plug power PoE (802.3af, 36 V to 57 V), 0.3 A to 0.1 A, max. 10 W
Protection Level	IK08, IP66
Material	Front cover: plastic, Bottom base: metal

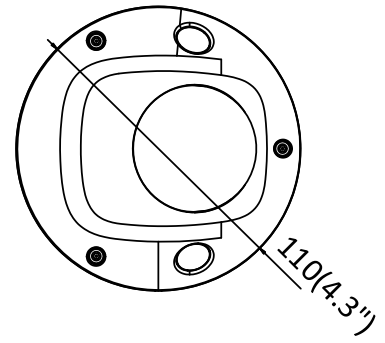
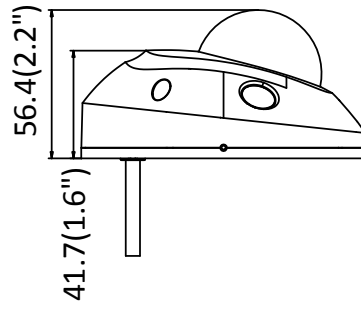
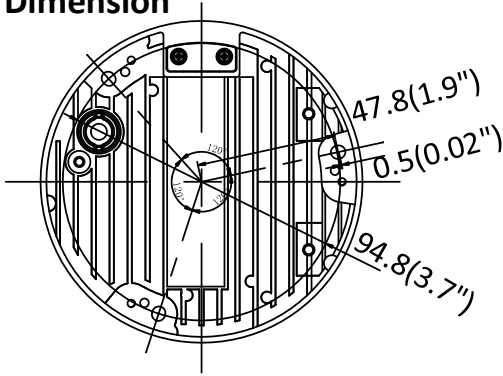


Dimensions	Φ110 mm × 56.4 mm (Φ4.3" × 2.2")
Weight	Camera: Approx. 400 g (0.9 lb.)

Available Model

PNC324-WDA, PNC324-WDAB

Dimension



Accessory



Wall Mount + Junction Box
P-272ZJ-120B



P-275ZJ
Vertical Pole Mounting



P-276ZJ
Corner Mounting



Pendant Mount
P-271ZJ-120



P-280ZJ-S