

**PNC328-VDZ**  
**8 MP WDR Vari-focal Network Dome Camera**



### Key Features

- 1/2.5" Progressive Scan CMOS
- 3840 × 2160 resolution
- H.265, H.265+
- 120dB WDR
- IP67, IK10
- BLC/3D DNR/ROI
- Smart encoding: Support low bit rate, low latency
- 4 behavior analyses and face detection

## Specifications

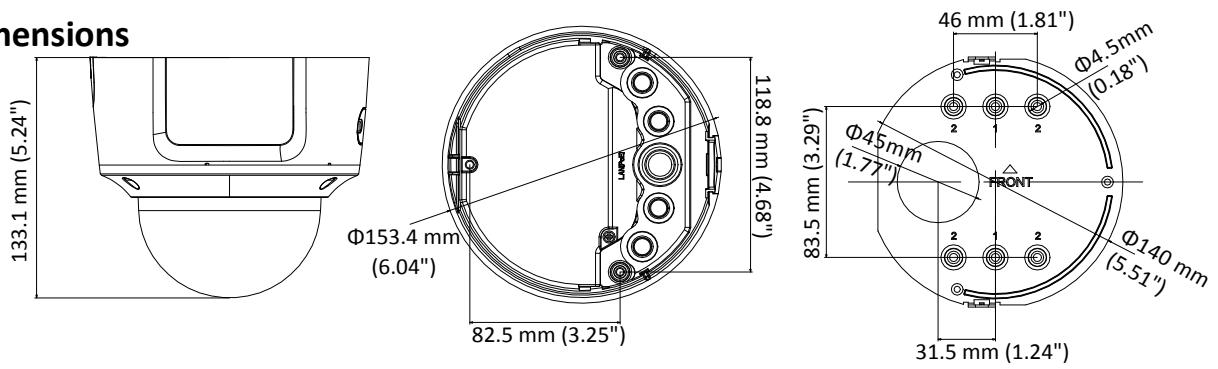
<b>Camera</b>	
Image Sensor	1/2.5" Progressive Scan CMOS
Min. Illumination	Color: 0.01 Lux @ (F1.2, AGC ON), 0 Lux with IR Color: 0.014 Lux @ (F1.4, AGC ON), 0 Lux with IR
Shutter Speed	1/3 s to 1/100,000 s
Slow Shutter	Support
Day & Night	IR Cut Filter
Digital Noise Reduction	3D DNR
WDR	120dB
3-Axis Adjustment	Pan: 0° to 355°, tilt: 0° to 75°, rotate: 0° to 355°
<b>Lens</b>	
Focal length	2.8 to 12 mm
Aperture	F1.4
FOV	Horizontal field of view: 115° to 35° Vertical field of view: 60° to 19° Diagonal field of view: 146° to 38.5°
Lens Mount	Ø14
<b>IR</b>	
IR Range	Up to 30 m
Wavelength	850nm
<b>Compression Standard</b>	
Video Compression	Main stream: H.265+/H.265/H.264+/H.264 Sub stream: H.265/H.264/MJPEG Third stream: H.265/H.264
H.264 Type	Main Profile/High Profile
H.265 Type	Main Profile
Video Bit Rate	32 Kbps to 16 Mbps
Audio Compression	G.711/G.722.1/G.726/MP2L2/PCM
Audio Bit Rate	64Kbps(G.711)/16Kbps(G.722.1)/16Kbps(G.726)/32-192Kbps(MP2L2)
<b>Smart Feature-set</b>	
Behavior Analysis	Line crossing detection, intrusion detection, unattended baggage detection, object removal detection
Face Detection	Support
Region of Interest	Support 1 fixed region for main stream and sub stream
<b>Image</b>	
Max. Resolution	3840 × 2160
Main Stream	50Hz: 20 fps (3840 × 2160), 25 fps (3072 × 1728, 2560 × 1440, 1920 × 1080, 1280 × 720) 60Hz: 20 fps (3840 × 2160), 30 fps (3072 × 1728, 2560 × 1440, 1920 × 1080, 1280 × 720)
Sub Stream	50Hz: 25fps (640 × 480, 640 × 360, 320 × 240) 60Hz: 30fps (640 × 480, 640 × 360, 320 × 240)
Third Stream	50Hz: 25fps (1280 × 720, 640 × 360, 352 × 288) 60Hz: 30fps (1280 × 720, 640 × 360, 352 × 240)
Image Enhancement	BLC/3D DNR
Image Setting	Rotate mode, saturation, brightness, contrast, sharpness adjustable by client software or web browser

Day/Night Switch	Auto/Schedule/Triggered by Alarm In
<b>Network</b>	
Network Storage	Support Micro SD/SDHC/SDXC card (128G), local storage and NAS (NFS,SMB/CIFS), ANR
Alarm Trigger	Motion detection, video tampering, network disconnected, IP address conflict, illegal login, HDD full, HDD error, Alarm input, Alarm output
Protocols	TCP/IP, ICMP, HTTP, HTTPS, FTP, DHCP, DNS, DDNS, RTP, RTSP, RTCP, PPPoE, NTP, UPnP, SMTP, SNMP, IGMP, 802.1X, QoS, IPv6, Bonjour
General Function	One-key reset, anti-flicker, three streams, heartbeat, password protection, privacy mask, watermark, IP address filter
API	ONVIF (PROFILE S, PROFILE G), ISAPI
Simultaneous Live View	Up to 6 channels
User/Host	Up to 32 users 3 levels: Administrator, Operator and User
Client	iVMS-4200, Hik-Connect, iVMS-5200
Web Browser	IE8+, Chrome 31.0-44, Firefox 30.0-51, Safari 8.0+
<b>Interface</b>	
Audio	1 input (line in, 3.5 mm), 1 output(3.5 mm), mono sound
Communication Interface	1 RJ45 10M/100M self-adaptive Ethernet port
Alarm	1 input, 1 output (max. 12 VDC, 30 mA)
Video Output	1Vp-p composite output (75 Ω/BNC)
On-board storage	Built-in Micro SD/SDHC/SDXC slot, up to 128 GB
SVC	Support H.264 and H.265 encoding
Reset Button	Support
<b>Audio</b>	
Environment Noise Filtering	Support
Audio Sampling Rate	8kHz/16kHz/32kHz/44.1kHz/48kHz
<b>General</b>	
Operating Conditions	-30 °C to +60 °C (-22 °F to +140 °F), Humidity 95% or less (non-condensing)
Power Supply	12 VDC ± 25%, PoE (802.3af) Terminal block for DC input
Power Consumption and Current	12 VDC, 0.95A, max. 11.5W PoE (802.3af, 36V to 57V), 0.3A to 0.1A, max. 12.9W
Protection Level	IP67, IK10 TVS 2000V Lightning Protection, Surge Protection and Voltage Transient Protection
Material	Metal
Dimensions	Φ153.4 × 133.1 mm (Φ6.04" × 5.24")
Weight	Camera: 1287 g (2.84 lb.)

## Available Model:

PNC328-VDZ

## Dimensions



## Accessories



P-471ZJ-155  
Pendant Mount



P-473ZJ-155  
Wall Mount



P-475ZJ-SUS  
Vertical Pole Mount



P-476ZJ-SUS  
Corner Mount