

**PNC344G2-XBL**  
**4 MP ColorVu Fixed Bullet Network Camera**

**ColorVu**



ColorVu technology provides 24/7 vivid colorful images with F1.0 advanced lenses and high performance sensors. F1.0 super-aperture collects more light to produce brighter images. Advanced sensor technology can vastly improve the utilization of available light.

- High quality imaging with 4 MP resolution
- Efficient H.265+ compression technology
- Clear imaging against strong backlight due to 130 dB WDR technology
- Focus on human and vehicle targets classification based on deep learning
- 24/7 colorful imaging
- Water and dust resistant (IP67)

## ▪ Specification

| Camera                 |  |
|------------------------|--|
| Image Sensor           | 1/1.8" Progressive Scan CMOS   |
| Min. Illumination      | Color: 0.0005 Lux @ (F1.0, AGC ON), 0 Lux with white light   |
| Shutter Speed          | 1/3 s to 1/100,000 s   |
| Slow Shutter           | Yes  |
| P/N                    | P/N  |
| Wide Dynamic Range     | 130 dB   |
| Angle Adjustment       | Pan: 0° to 360°, tilt: 0° to 90°, rotate: 0° to 360°   |
| Lens                   |  |
| Lens Type              | Fixed focal lens, 2.8, 4, and 6 mm optional  |
| Iris Type              | Fixed  |
| Lens Type & FOV        | 2.8 mm, horizontal FOV 112°, vertical FOV 61°, diagonal FOV 134°   |
| Depth of Focus         | 2.8 mm, 2.5 m to ∞   |
| Aperture               | F1.0   |
| Lens Mount             | M16  |
| DORI                   |  |
| DORI                   | 2.8 mm, D: 58 m, O: 23 m, R: 11 m, I: 2 m  |
| Illuminator            |  |
| Supplement Light Type  | White Light  |
| White Light Range      | 60 m   |
| Smart Supplement Light | Yes  |
| Video                  |  |
| Max. Resolution        | 2688 × 1520  |
| Main Stream            | 50 Hz: 25 fps (2688 × 1520, 1920 × 1080, 1280 × 720)<br>60 Hz: 30 fps (2688 × 1520, 1920 × 1080, 1280 × 720)   |
| Sub-Stream             | 50 Hz: 25 fps (640 × 480, 640 × 360)<br>60 Hz: 30 fps (640 × 480, 640 × 360)   |
| Third Stream           | 50 Hz: 10 fps (1920 × 1080, 1280 × 720, 640 × 480, 640 × 360)<br>60 Hz: 10 fps (1920 × 1080, 1280 × 720, 640 × 480, 640 × 360)<br>*Third stream is supported under certain settings. |
| Video Compression      | Main stream: H.265/H.264/H.265+/H.264+<br>Sub-stream: H.265/H.264/MJPEG<br>Third stream: H.265/H.264<br>*Third stream is supported under certain settings.                           |
| Video Bit Rate         | 32 Kbps to 8 Mbps  |
| H.264 Type             | Baseline Profile/Main Profile/High Profile   |
| H.265 Type             | Main Profile   |
| H.264+                 | Main stream supports   |

|                               |  |
|-------------------------------|--|
| H.265+                        | Main stream supports   |
| Bit Rate Control              | CBR/VBR  |
| Scalable Video Coding (SVC)   | H.264 and H.265 encoding   |
| Region of Interest (ROI)      | 1 fixed region for main stream and sub-stream  |
| <b>Network</b>                |  |
| Simultaneous Live View        | Up to 6 channels   |
| API                           | Open Network Video Interface (PROFILE S, PROFILE G, PROFILE T), ISAPI, SDK   |
| Protocols                     | TCP/IP, ICMP, HTTP, HTTPS, FTP, DHCP, DNS, DDNS, RTP, RTSP, NTP, UPnP, SMTP, IGMP, 802.1X, QoS, IPv4, IPv6, UDP, Bonjour, SSL/TLS, PPPoE, SNMP, ARP  |
| User/Host                     | Up to 32 users. 3 user levels: administrator, operator and user  |
| Security                      | Password protection, complicated password, HTTPS encryption, IP address filter, Security Audit Log, basic and digest authentication for HTTP/HTTPS, TLS 1.1/1.2, WSSE and digest authentication for Open Network Video Interface |
| Network Storage               | MicroSD/SDHC/SDXC card (256 GB) local storage, and NAS (NFS, SMB/CIFS), auto network replenishment (ANR)<br>Together with high-end memory card, memory card encryption and health detection are supported                        |
| Client                        | Guarding Vision  |
| Web Browser                   | Plug-in required live view: IE 10+<br>Plug-in free live view: Chrome 57.0+, Firefox 52.0+<br>Local service: Chrome 57.0+, Firefox 52.0+  |
| <b>Image</b>                  |  |
| SNR                           | ≥ 52 dB  |
| Day/Night Switch              | Auto, Schedule   |
| Image Enhancement             | BLC, HLC, 3D DNR   |
| Image Parameters Switch       | Yes  |
| Image Settings                | Rotate mode, saturation, brightness, contrast, sharpness, gain, white balance adjustable by client software or web browser   |
| <b>Interface</b>              |  |
| On-Board Storage              | Built-in micro SD/SDHC/SDXC slot, up to 256 GB   |
| Reset Key                     | Yes  |
| Ethernet Interface            | 1 RJ45 10 M/100 M self-adaptive Ethernet port  |
| <b>Event</b>                  |  |
| Basic Event                   | Motion detection (human and vehicle targets classification), video tampering alarm, exception  |
| Smart Event                   | Scene change detection   |
| <b>Deep Learning Function</b> |  |
| Face Capture                  | Yes  |
| Perimeter Protection          | Line crossing detection, intrusion detection, region entrance detection, region exiting detection  |
| <b>General</b>                |  |
| Linkage Method                | Upload to NAS/memory card/FTP, notify surveillance center, trigger recording, trigger capture, send email  |
| Firmware Version              | V5.5.112   |

|                                  |   |
|----------------------------------|---|
| Language                         | 33 languages<br>English, Russian, Estonian, Bulgarian, Hungarian, Greek, German, Italian, Czech, Slovak, French, Polish, Dutch, Portuguese, Spanish, Romanian, Danish, Swedish, Norwegian, Finnish, Croatian, Slovenian, Serbian, Turkish, Korean, Traditional Chinese, Thai, Vietnamese, Japanese, Latvian, Lithuanian, Portuguese (Brazil), Ukrainian |
| General Function                 | Anti-flicker, heartbeat, mirror, privacy mask, flash log, password reset via email, pixel counter   |
| Software Reset                   | Yes   |
| Storage Conditions               | -30 °C to 60 °C (-22 °F to 140 °F). Humidity 95% or less (non-condensing)   |
| Startup and Operating Conditions | -30 °C to 60 °C (-22 °F to 140 °F). Humidity 95% or less (non-condensing)   |
| Power Supply                     | 12 VDC ± 25%<br>PoE: 802.3af  |
| Power Consumption and Current    | 12 VDC, 0.7 A, max. 8.5 W<br>PoE (802.3af, 36 V to 57 V), 0.30 A to 0.18 A, max. 10.5 W   |
| Power Interface                  | Ø5.5 mm coaxial power plug  |
| Material                         | Front cover: metal, back cover: metal   |
| Screw Material                   | SUS304  |
| Dimension                        | Ø105 mm × 289.5 mm (Ø4.1" × 11.4")  |
| Package Dimension                | 385 mm × 190 mm × 180 mm (15.2" × 7.5" × 7.1")  |
| Weight                           | Approx. 1170 g (2.4 lb.)  |
| With Package Weight              | Approx. 1689 g (3.5 lb.)  |
| <b>Approval</b>                  |   |
| EMC                              | FCC SDoC (47 CFR Part 15, Subpart B);<br>CE-EMC (EN 55032: 2015, EN 61000-3-2: 2014, EN 61000-3-3: 2013, EN 50130-4: 2011 +A1: 2014);<br>RCM (AS/NZS CISPR 32: 2015);<br>IC VoC (ICES-003: Issue 6, 2016);<br>KC (KN 32: 2015, KN 35: 2015)   |
| Safety                           | UL (UL 60950-1);<br>CB (IEC 60950-1: 2005 + Am 1: 2009 + Am 2: 2013, IEC 62368-1: 2014);<br>CE-LVD (EN 60950-1: 2005 + Am 1: 2009 + Am 2: 2013, IEC 62368-1: 2014);<br>BIS (IS 13252(Part 1): 2010+A1: 2013+A2: 2015);<br>LOA (IEC/EN 60950-1)  |
| Environment                      | CE-RoHS (2011/65/EU); WEEE (2012/19/EU); Reach (Regulation (EC) No 1907/2006)   |
| Protection                       | IP67 (IEC 60529-2013)   |

## ▪ Available Model

PNCG2-XBL

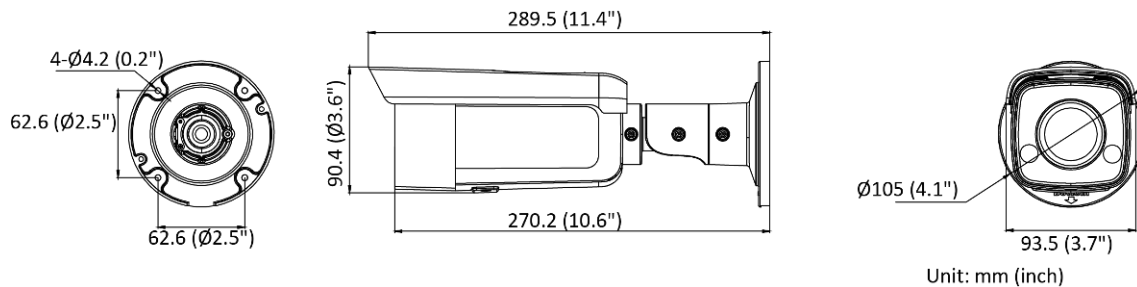
## ▪ Typical Application

PerfectView products are classified into three levels according to their anti-corrosion performance. Refer to the following description to choose for your using environment.

This model has NO SPECIFIC PROTECTION.




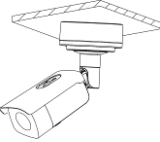
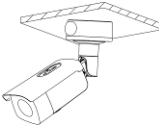
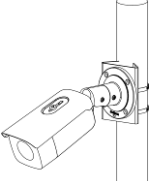
| Level                  | Description  |
|------------------------|--|
| Top-level protection   | PerfectView products at this level are equipped for use in areas where professional anti-corrosion protection is a must. Typical application scenarios include coastlines, docks, chemical plants, and more.   |
| Moderate protection    | PerfectView products at this level are equipped for use in areas with moderate anti-corrosion demands. Typical application scenarios include coastal areas about 2 kilometers (1.24 miles) away from coastlines, as well as areas affected by acid rain. |
| No specific protection | PerfectView products at this level are equipped for use in areas where no specific anti-corrosion protection is needed.  |

## ▪ Dimension



▪ **Accessory**

▪ **Optional**

| P-280ZJ-S<br>Junction Box   | P-260ZJ<br>Junction Box   | P-275ZJ<br>Vertical Pole Mount  |
|---|---|---|
|  |  |  |
|  |  |   |