

## HNC512-VBA12-LPR2 MP ANPR Ultra-Low Light Bullet Camera

**DARKFIGHTER**



### smart IPC

The ANPR series ultra-low light smart cameras are able to capture vehicle and recognize vehicle number plate of various countries and regions in dim light environment.

HNC512-VBA12-LPR offers high resolution, 120dB WDR, Auto-iris, PoE, Defog, EIS, 3D DNR, etc., to meet a wide variety of applications.

- 1/1.8" Progressive Scan CMOS
- 1920 × 1080 @ 60fps
- Ultra-low light
- Auto-iris
- 120dB WDR
- IP67
- IR and white light, optional

## Function Description

### Smart

- Smart recording: support edge recording and dual-VCA
- Smart encoding: support low bit rate, low latency, ROI enhance encoding

### Image

- 1920 × 1080 @60fps
- Support auto iris, DC-drive
- Support rotate mode, suitable for environment as corridor
- Support target cropping, details can be seen with low bandwidth
- Streaming smoothness setting for different requirements of image quality and fluency
- Support H.264+/H.264/MPEG4/MJPEG video compression, multi-level video quality configuration; support Baseline Profile/Main Profile/High Profile H.264 encoding complexity.
- Multiple OSD color: Black & white self-adaptive; Custom
- 120dB WDR is supportable for backlight environment
- Support defog, BLC, EIS, 3D DNR

### System

- Support ONVIF (profile S/profile G), ISAPI protocol
- Support three streams, and support 20 channels live view at the same time
- Lightning protection, surge protection, voltage transient protection, anti-static protection

### Interface

- Support standard 128 G microSD/SDHC/SDXC card storage
- Support 10M/100M Ethernet port
- Support Audio I/O (-S)
- Support Alarm I/O (-S)
- Support CVBS analog output (4CIF resolution)

### Security

- Support three-level user authentication management, user and password authorization, and IP address filtering
- Support security certificate as HTTPS
- Lock user IP after certain times failed login attempts

## Specifications

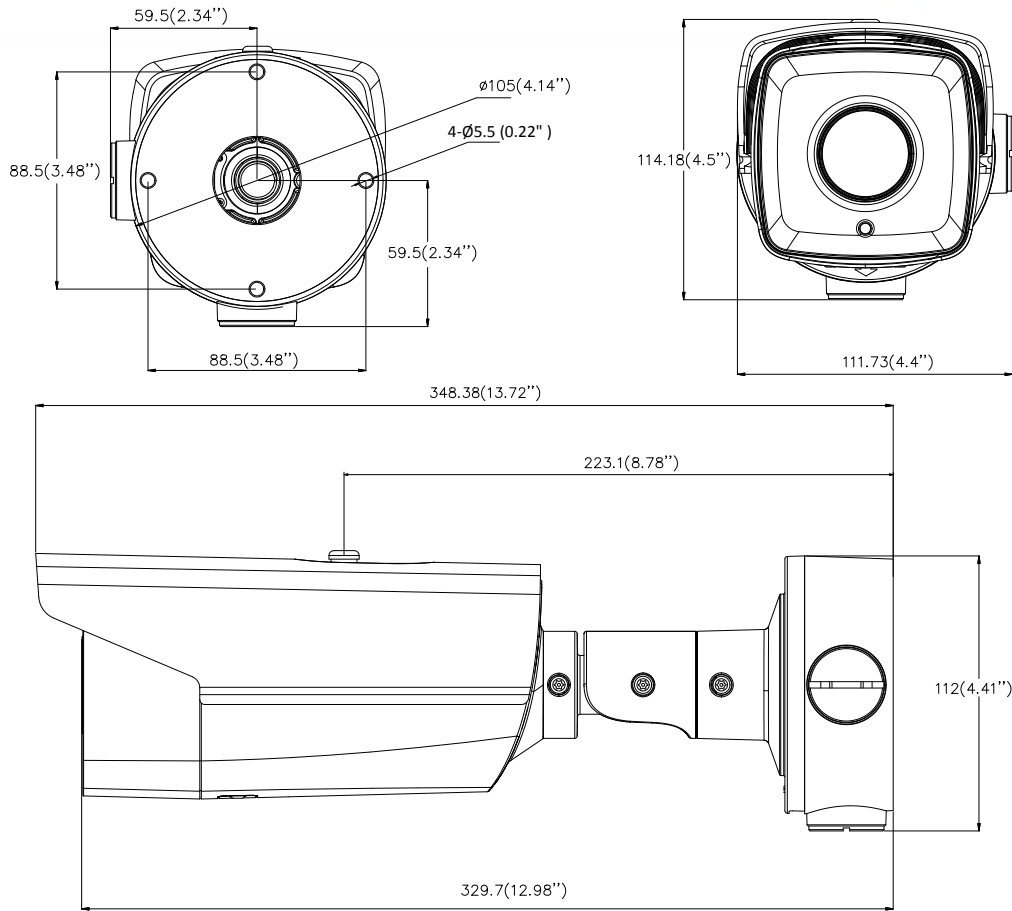
<b>Camera</b>	
Image Sensor	1/1.8" Progressive Scan CMOS
Min. Illumination	Color: 0.002 Lux @ (F1.2, AGC ON), 0.0027 Lux @ (F1.4, AGC ON), 0 Lux with IR
Shutter Speed	1 s to 1/100,000 s, supports slow shutter
Lens	2.8 mm to 12 mm, F1.4, horizontal field of view: 92° to 32° 8 mm to 32 mm, F1.6, horizontal field of view: 42° to 13.5°
Auto-iris	DC drive
Day & Night	IR cut filter with auto switch
Digital Noise Reduction	3D DNR
WDR	120dB
<b>Compression Standard</b>	
Video Compression	Main stream: H.264/MPEG4 Sub stream: H.264/MPEG4/MJPEG Third stream: H.264/MPEG4/MJPEG
H.264 Type	Baseline Profile/Main Profile/High Profile
H.264+	Support
Video Bit Rate	32 Kbps to 16 Mbps
Audio Compression (-S)	G.711/G.722.1/G.726/MP2L2
Audio Bit Rate (-S)	64Kbps (G.711) /16Kbps (G.722.1) /16Kbps (G.726) /32-160Kbps (MP2L2)
<b>Image</b>	
Max. Resolution	1920 × 1080
Main Stream Max. Frame Rate	50Hz: 50fps (1920 × 1080, 1280 × 960, 1280 × 720) 60Hz: 60fps (1920 × 1080, 1280 × 960, 1280 × 720)
Sub Stream Max. Frame Rate	50Hz: 25fps (704 × 576, 640 × 480, 352 × 288) 60Hz: 30fps (704 × 480, 640 × 480, 352 × 240)
Third Stream Max. Frame Rate	50Hz: 25fps (1920 × 1080, 1280 × 960, 1280 × 720, 704 × 576, 640 × 480, 352 × 288) 60Hz: 30fps (1920 × 1080, 1280 × 960, 1280 × 720, 704 × 480, 640 × 480, 352 × 240)
Image Enhancement	BLC /3D DNR/Defog/EIS
Image Setting	Rotate mode, saturation, brightness, contrast, sharpness adjustable by client software or web browser
Region of Interest	Support 4 fixed region for each stream, and dynamic tracking
Target Cropping	Support
Day/Night Switch	Auto/Schedule/Triggered by Alarm In (-S)
Picture Overlay	LOGO picture can be overlaid on video with 128 × 128 24bit bmp format
<b>Road Traffic and Vehicle Detection</b>	
Road Traffic and Vehicle Detection	Support
<b>Network</b>	
Network Storage	Support microSD/SDHC/SDXC card (128G), local storage and NAS (NFS,SMB/CIFS), ANR
Alarm Trigger	Road traffic, motion detection, video tampering alarm, network disconnected, IP address conflict, illegal login, HDD full, HDD error
Protocols	TCP/IP, ICMP, HTTP, HTTPS, FTP, DHCP, DNS, DDNS, RTP, RTSP, RTCP, PPPoE, NTP, UPnP, SMTP, SNMP, IGMP, 802.1X, QoS, IPv6
General Function	One-key reset, anti-flicker, three streams, heartbeat, password protection, privacy mask, watermark, IP address filter, mirror
Standard	ONVIF (profile S, profile G), ISAPI

<b>Interface</b>	
Communication Interface	1 RJ45 10M/100M Ethernet port
Audio (-S)	With -S model: 1 audio input(line in/mic in), 1 audio output
Alarm (-S)	With -S model: 1 input, 1 output
Video Output	1Vp-p composite output (75 Ω/BNC)
On-board storage	Built-in microSD/SDHC/SDXC slot, up to 128 G
Reset Button	Yes
<b>Audio (-S)</b>	
Environment Noise Filtering	Support
Audio I/O	Support
Audio Sampling Rate	16kHz/32kHz/44.1kHz/48 kHz
<b>General</b>	
Operating Conditions	-IZS/P, -IZ/P, -LZS/P: -30 °C to +60 °C (-22 °F to +140 °F), Humidity 95% or less (non-condensing) -IZHS/P: -40 °C to +60 °C (-40 °F to +140°F), Humidity 95% or less (non-condensing)
Power Supply	12 VDC ± 10%, terminal block PoE (802.3at, class 4)
Power Consumption and Current	- (IZS)(IZ)/P: 12 VDC, max. 13.3 W, 1.2 A; PoE, max. 17.6 W, 0.3 A to 0.5 A -IZHS/P: 12 VDC, max. 14.5 W, 1.3 A; PoE, max. 19.2 W, 0.3 A to 0.5 A -LZS/P: 12 VDC, max. 18.1 W, 1.6 A; PoE, max. 24 W, 0.4 A to 0.6 A
IR	-IZ/P, -IZS/P, -IZHS/P: 850 nm IR wavelength, up to 50 meters for 2.8 to 12 mm lens, up to 100 m for 8 to 32 mm lens
White Light	-LZS/P: up to 50 meters for 2.8 to 12 mm lens, up to 100 m for 8 to 32 mm lens
Heater	-IZHS: support
Protection	IP67
Dimensions	348.38 × 114.18 × 111.73 mm (13.72" × 4.5" × 4.4")
Weight	Approx. 2075 g (4.57 lb.)

## Available Models:

HNC512-VBA12-LPR

## Dimensions



## Accessories



Junction Box  
P-260ZJ-DM18



P-275ZJ-SUS  
Vertical Pole Mount



P-276ZJ-SUS  
Corner Mount