

PNC512-VBA94
2MP Anti-Corrosion Low Light Smart Camera

DarkFighter



smart IPC

- 1/2.8" Progressive Scan CMOS
- 1920 × 1080 @ 60fps
- Color: 0.005 Lux @ (F1.2, AGC ON), 0.008 Lux @ (F1.5, AGC ON)
- H.265, H.265+, H.264, H.264+
- 120dB WDR
- 3D DNR
- IP67
- IR light range up to 120 m
- 6 behavior analyses
- Built-in microSD/SDHC/SDXC card slot, up to 128 GB

Specifications

Camera	
Image Sensor	1/2.8" Progressive Scan CMOS
Min. Illumination	Color: 0.005 lux @ (F1.2, AGC ON), 0.008 lux @ (F1.5, AGC ON) B/W: 0.0005 lux @ (F1.2, AGC ON), 0.0008 lux @ (F1.5, AGC ON), 0 lux with IR
Shutter Speed	1 s to 1/100,000 s
Slow Shutter	Yes
Auto-Iris	DC drive
Day & Night	IR Cut Filter
Digital Noise Reduction	3D DNR
WDR	120 dB
Angle Adjustment	Pan: 0 to 360°, tilt: 0 to 100°, rotation: 0 to 360°
Lens	
Focal length	4.7 to 94 mm
Aperture	F1.5 to F3.0
FOV	Horizontal FOV: 55° to 3°, vertical FOV: 31.6° to 1.8°, diagonal FOV: 62° to 3.6°
Lens Mount	Integrated
IR	
IR Range	Up to 120 m
Wavelength	850 nm
Compression Standard	
Video Compression	Main stream: H.265/H.264 Sub-stream: H.265/H.264/MJPEG Third stream: H.265/H.264
H.264 Type	Baseline Profile/Main Profile/High Profile
H.264+	Main stream supports
H.265 Type	Main Profile
H.265+	Main stream supports
Video Bit Rate	32 Kbps to 16 Mbps
SVC	H.264 and H.265 encoding
Smart Feature-set	
Perimeter Protection	Line crossing detection, intrusion detection, region entrance detection, region exiting detection, unattended baggage detection, object removal detection
Exception Detection	Scene change detection, defocus detection, audio detection (with -S model)
Statistics	Counting
Face Detection	Yes
Region of Interest	4 fixed regions for main stream, sub stream, third stream and dynamic tracking
Image	
Max. Resolution	1920 × 1080
Main Stream	50Hz: 50fps (1920 × 1080, 1280 × 960, 1280 × 720) 60Hz: 60fps (1920 × 1080, 1280 × 960, 1280 × 720)
Sub Stream	50Hz: 25fps (704 × 576, 640 × 480, 352 × 288, 320 × 240) 60Hz: 30fps (704 × 480, 640 × 480, 352 × 240, 320 × 240)

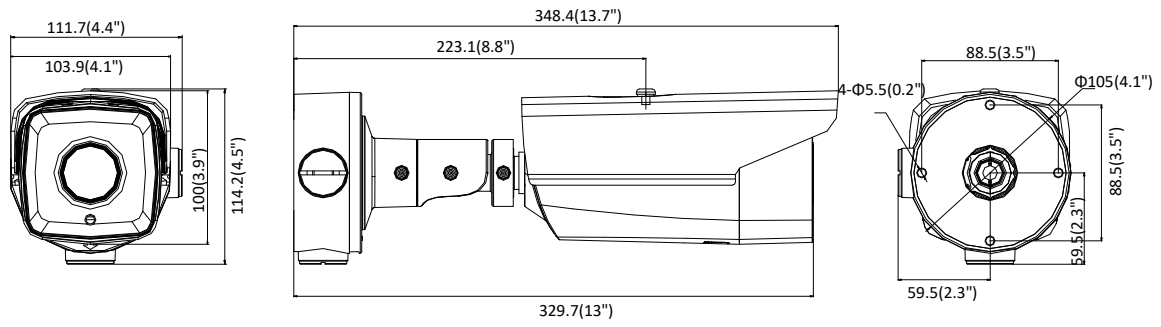
Third Stream	50Hz: 25fps (1920 × 1080, 1280 × 960, 1280 × 720, 704 × 576, 640 × 480, 352 × 288, 320 × 240) 60Hz: 30fps (1920 × 1080, 1280 × 960, 1280 × 720, 704 × 480, 640 × 480, 352 × 240, 320 × 240)
Image Enhancement	BLC, HLC, 3D DNR, Defog, EIS
Image Settings	Rotate mode, saturation, brightness, contrast, sharpness, AGC, and white balance are adjustable by client software or web browser
Target Cropping	Yes
Day/Night Switch	Day/Night/Auto/Schedule/Triggered by Alarm In (with –S model)
Picture Overlay	LOGO picture can be overlaid on video with 128 × 128 24 bit bmp format
Network	
Network Storage	microSD/SDHC/SDXC card (128 GB), local storage and NAS (NFS, SMB/CIFS), ANR
Alarm Trigger	Motion detection, video tampering alarm, network disconnected, IP address conflict, HDD full, HDD error
Protocols	TCP/IP, ICMP, HTTP, HTTPS, FTP, DHCP, DNS, DDNS, RTP, RTSP, RTCP, PPPoE, NTP, UPnP, SMTP, SNMP, IGMP, 802.1X, QoS, IPv6, UDP, Bonjour
General Function	One-key reset, anti-flicker, three streams, heartbeat, mirror. password protection, privacy mask, watermark, IP address filter
Firmware Version	5.5.80
API	ONVIF (PROFILE S, PROFILE G), ISAPI
Simultaneous Live View	Up to 20 channels
User/Host	Up to 32 users. 3 user levels: administrator, operator and user
Client	iVMS-4200, Hik-Connect
Web Browser	IE 8+, Chrome 41.0-44, Mozilla Firefox 30.0-51, Safari 8.0+
Interface	
Audio (With –S model)	1 input (line in/mic in, 3.5 mm), 1 output (3.5 mm), mono sound
Communication Interface	1 RJ45 10M/100M Ethernet port, 1 RS-485 interface (with –S model)
Alarm (With –S model)	1 input, 1 output (max. 24 VDC, 1A or 110 VAC, 500 mA)
Video Output (With –S model)	1Vp-p composite output (75 Ω/BNC)
On-board storage	Built-in micro SD/SDHC/SDXC slot, up to 128 GB
Reset Button	Yes
Audio (With –S Model)	
Environment Noise Filtering	Yes
Audio Sampling Rate	8 kHz/16 kHz/32 kHz/44.1 kHz/48 kHz
Audio Compression	G.711/G.722.1/G.726/MP2L2/PCM
Audio Bit Rate	64 Kbps(G.711)/16 Kbps(G.722.1)/16 Kbps(G.726)/32-192 Kbps(MP2L2)
General	
Operating Conditions	-30 °C to 60 °C (-22 °F to 140 °F), -H: -40 °C to 60 °C (-40 °F to 140 °F) Humidity 95% or less (non-condensing)
Power Supply	12 VDC ± 20%, three-core terminal block PoE (802.3at, class 3)
Power Consumption and Current	12 VDC, 1.3 A, max. 15 W; PoE (802.3at, 42.5 V to 57 V), 0.4 A to 0.2 A, max. 15 W
Protection Level	IP67
Heater	-H: yes
Material	Metal

Dimensions	Camera: 348.4 × 114.2 × 111.7 mm (13.7" × 4.5" × 4.4") With package: 386 × 156 × 155 mm (15.2" × 6.1" × 6.1")
Weight	-IZ: Camera: 1300 g (2.9 lb.) With package: 1800 g (4 lb.) -IZH, -IZS: Camera: 1500 g (3.3 lb.) With package: 2100 g (4.6 lb.) -IZHS: Camera: 2000 g (4.4 lb.) With package: 2600 g (5.7 lb.)

Available Model

PNC512-VBA94

Dimension



Unit: mm(inch)

Accessories



Junction Box
P-280ZJ-DM18



P-275ZJ-SUS
Vertical Pole Mount



P-276ZJ-SUS
Corner Mount