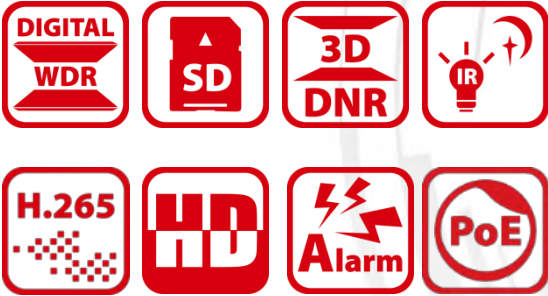


## PNP315-IR/30X E Series 5MP 30× IR Network Speed Dome



PerfectView PNP315-IR/30X 5MP 30× IR Network Speed Domes adopt 1/1.9" progressive scan CMOS chip. With the 30× optical zoom lens, the camera offers more details over expansive areas.

This series of cameras can be widely used for wide ranges of high-definition, such as the rivers, forests, roads, railways, airports, ports, squares, parks, scenic spots, stations and large venues, etc.



### Key Features

- 1/1.9" progressive scan CMOS
- Up to 2592 × 1944 resolution
- Min. illumination:  
Color: 0.005 Lux @(F1.5, AGC ON)  
B/W: 0.002 Lux @(F1.5, AGC ON)  
0 Lux with IR
- 30× Optical Zoom, 16× Digital Zoom
- Defog, EIS, 3D DNR, BLC, HLC, Digital WDR
- IR distance up to 150 m
- 24 VAC & Hi-PoE
- Support H.265+/H.265 video compression

## Specification

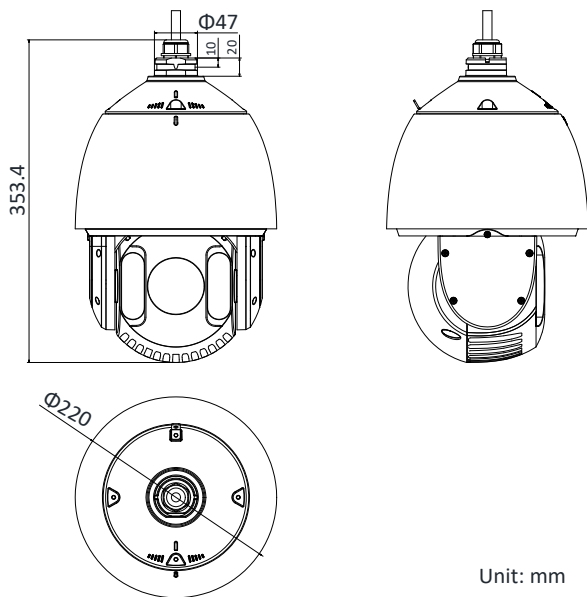
Camera Module	
<b>PNP315-IR/30X E Series 5MP 30× IR Network Speed Dome</b>	
Image Sensor	1/1.9" progressive scan CMOS
Min. Illumination	Color: 0.005 Lux @(F1.5, AGC ON) B/W: 0.002 Lux @(F1.5, AGC ON) 0 Lux with IR
Shutter Time	50Hz: 1/1 s to 1/30,000 s 60Hz: 1/1 s to 1/30,000 s
White Balance	Auto/Manual/ATW (Auto-tracking White Balance)/Indoor/Outdoor/Fluorescent Lamp/Sodium Lamp
AGC	Auto/Manual
Day & Night	IR cut filter
Digital Zoom	16×
Privacy Mask	8 programmable privacy masks
Focus Mode	Auto/Semi-automatic/Manual
3D DNR	Support
BLC	Support
HLC	Support
Digital WDR	Support
Defog	Support
EIS	Support
Regional Exposure	Support
Regional Focus	Support
Lens	
Focal Length	5.9 mm to 177 mm, 30× Optical Zoom
Zoom Speed	Approx. 4.8 s (Optical Lens, Wide-Tele)
Horizontal FOV	51.3° to 2.7° (Wide-Tele)
Working Distance	10 mm to 1500 mm (Wide-Tele)
Aperture Range	F1.5 to F3.4
PTZ	
Movement Range (Pan)	360° endless
Pan Speed	Configurable, from 0.1°/s to 160°/s, Preset Speed: 240°/s
Movement Range (Tilt)	From -15° to 90° (Auto Flip)
Tilt Speed	Configurable, from 0.1°/s to 120°/s, Preset Speed: 200°/s
Proportional Zoom	Support
Presets	300
Patrol Scan	8 patrols, up to 32 presets for each patrol
Pattern Scan	4 pattern scans, record time over 10 minutes for each scan
Power-off Memory:	Support
Park Action	Preset/Pattern Scan/Patrol Scan/Auto Scan/Tilt Scan/Random Scan/Frame Scan/Panorama Scan
PTZ Status Display	Support
Preset Freezing	Support
Scheduled Task	Preset/Pattern Scan/Patrol Scan/Auto Scan/Tilt Scan/Random Scan/Frame Scan/Panorama Scan/Dome Reboot/Dome Adjust/Aux Output
Smart Features	
Basic Event Detection	Motion Detection, Video Tampering, Alarm Input, Alarm Output, Exception
Smart Event Detection	Audio Exception Detection, Face Detection, Intrusion Detection, Line Crossing Detection, Region Entrance Detection, Region Exiting Detection

Auto-tracking	Support
Smart Record	ANR (Automatic Network Replenishment), Dual-VCA
<b>Infrared</b>	
IR Distance	150 m
Smart IR	Support
IR Control	IR brightness and angle are intelligently adjustable according to the scenes.
<b>Network</b>	
Max. Resolution	2592 × 1944
Main Stream	50Hz: 25fps (2592 × 1944, 2560 × 1440, 2048 × 1536, 1920 × 1080, 1280 × 960, 1280 × 720) 50fps (1920 × 1080, 1280 × 960, 1280 × 720) 60Hz: 30fps (2592 × 1944, 2560 × 1440, 2048 × 1536, 1920 × 1080, 1280 × 960, 1280 × 720) 60fps (1920 × 1080, 1280 × 960, 1280 × 720)
Sub-Stream	50Hz: 25fps (704 × 576, 640 × 480, 352 × 288) 60Hz: 30fps (704 × 480, 640 × 480, 352 × 240)
Third Stream	50Hz: 25fps (1920 × 1080, 1280 × 960, 1280 × 720, 704 × 576, 640 × 480, 352 × 288) 60Hz: 30fps (1920 × 1080, 1280 × 960, 1280 × 720, 704 × 480, 640 × 480, 352 × 240)
SVC	Support
ROI	Main stream, sub-stream and third stream respectively support four fixed areas.
Video Compression	Main Stream: H.265+/H.265/H.264+/H.264 Sub-Stream: H.265/H.264/MJPEG Third Stream: H.265/H.264/MJPEG H.264 with Baseline/Main/High Profile
Audio Compression	G.711alaw/G.711ulaw/G.722.1/G.726/MP2L2/PCM
Protocols	IPv4/IPv6, HTTP, HTTPS, 802.1x, Qos, FTP, SMTP, UPnP, SNMP, DNS, DDNS, NTP, RTSP, RTCP, RTP, TCP, UDP, IGMP, ICMP, DHCP, PPPoE, Bonjour
Simultaneous Live View	Up to 20 channels
User/Host	Up to 32 users, 3 levels: Administrator, Operator and User
Security Measures	User Authentication (User ID and Password), Host Authentication (MAC address), HTTPS Encryption, IEEE 802.1x Port-Based Network Access control, IP address Filtering
<b>System Integration</b>	
Alarm Input	2-ch alarm input
Alarm Output	1-ch alarm output
Alarm Linkage	Preset, Patrol Scan, Pattern Scan, Memory Card Video Recording, Trigger Recording, E-Map, VCA Capture, Upload to FTP, Send Email, etc.
Audio Input	1-ch audio input
Audio Output	1-ch audio output
Network Interface	1 RJ45 10 M/100 M Ethernet Interface, Hi-PoE
Storage	Built-in memory card slot, support Micro SD/SDHC/SDXC, up to 128 GB, NAS (NPS, SMB/CIFS), ANR
API	Open-ended, support ONVIF, ISAPI, and CGI, support HIKVISION SDK and Third-Party Management Platform
Client	iVMS-4200, iVMS-4500, iVMS-5200, Hik-Connect
Web Browser	IE 8+, Chrome 31+, Firefox 30+, Safari 8.0+ web browser
<b>General</b>	
Power	24 VAC & Hi-PoE, Max.: 40 W IR: 19 W
Working Temperature	Outdoor: -30°C to 65°C (-22°F to 149°F)
Working Humidity	≤ 90%
Protection Level	IP66 Standard, TVS 4000V Lightning Protection, Surge Protection and Voltage Transient Protection
Dimensions	Φ 220 mm × 353.4 mm (Φ 8.66" × 13.91")
Weight	Approx. 4.5 kg (9.92 lb)

## Order Model

PNP315-IR/30X

## Dimensions



Unit: mm

## Accessories



P-602ZJ

Wall Mounting Bracket



P-602ZJ-corner

Corner Mounting Bracket



P-602ZJ-pole

Vertical Pole Mounting Bracket



P-661ZJ

Pendant Mounting Bracket



P-1100KI

Network Keyboard



P-1005KI

USB Joy-stick