

PNC322-TD(A) 2 MP IR Fixed Dome Network Camera



Key Features

- 1/2.8" Progressive Scan CMOS
- 1920 × 1080@30fps
- 2.8/4/6 mm fixed lens
- Color: 0.01 Lux @(F1.2, AGC ON), 0.028Lux @(F2.0, AGC ON);
- H.265+, H.265, H.264+, H.264
- 120 dB WDR
- 2 Behavior analyses
- BLC/3D DNR/ROI
- Built-in micro SD/micro SDHC/micro SDXC card slot, up to 128 GB

Specifications

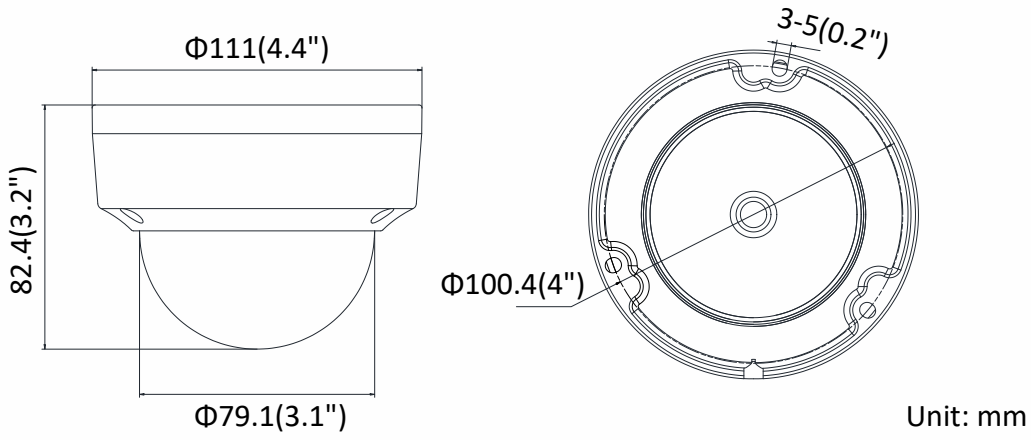
Camera	
Image Sensor	1/2.8" Progressive Scan CMOS
Min. Illumination	Color: 0.01 Lux @(F1.2, AGC ON), 0.028Lux @(F2.0, AGC ON); B/W: 0.001 Lux @(F1.2, AGC ON), 0.0028 Lux @(F2.0, AGC ON), 0 Lux with IR
Shutter Speed	1/3 s to 1/100,000 s
Slow Shutter	Yes
Day & Night	IR Cut Filter
Digital Noise Reduction	3D DNR
WDR	120 dB
3-Axis Adjustment	Pan: 0° to 355°, tilt: 0° to 70°, rotate: 0° to 355°
Lens	
Focal Length	2.8/4/6 mm
Aperture	F2.0
Focus	Fixed
FOV	2.8 mm: horizontal FOV: 115°, vertical FOV: 62°, diagonal FOV: 136° 4 mm: horizontal FOV: 86°, vertical FOV: 47°, diagonal FOV: 103° 6 mm: horizontal FOV: 55°, vertical FOV: 31°, diagonal FOV: 62°
Lens Mount	M12
IR	
IR Range	Up to 30 m
Wavelength	850nm
Compression Standard	
Video Compression	Main stream: H.265/H.264 Sub-stream: H.265/H.264/MJPEG
H.264 Type	Baseline Profile/Main Profile/High Profile
H.264+	Main stream supports
H.265 Type	Main Profile
H.265+	Main stream supports
Video Bit Rate	32 Kbps to 8 Mbps
Audio Compression (-S)	G.711/G.722.1/G.726/MP2L2/PCM
Audio Bit Rate (-S)	64Kbps(G.711)/16Kbps(G.722.1)/16Kbps(G.726)/32-192Kbps(MP2L2)
Smart Feature-set	
Behavior Analysis	Line crossing detection, intrusion detection
Region of Interest	1 fixed region for main stream
Image	
Max. Resolution	1920 × 1080
Main Stream	50Hz: 25fps (1920 × 1080, 1280 × 960, 1280 × 720) 60Hz: 30fps (1920 × 1080, 1280 × 960, 1280 × 720)
Sub-Stream	50Hz: 25fps (704 × 576, 640 × 480, 352 × 288, 320 × 240) 60Hz: 30fps (704 × 480, 640 × 480, 352 × 240, 320 × 240)
Image Enhancement	BLC/3D DNR
Image Settings	Rotate mode, saturation, brightness, contrast, sharpness adjustable by client software or web browser
Day/Night Switch	Day/Night/Auto/Schedule/Triggered by alarm in (-S)

Network	
Network Storage	Support built-in micro SD/micro SDHC/micro SDXC card (128G), local storage and NAS (NFS, SMB/CIFS), ANR
Alarm Trigger	Motion detection, video tampering, network disconnected, IP address conflict, illegal login, HDD full, HDD error
Protocols	TCP/IP, ICMP, HTTP, HTTPS, FTP, DHCP, DNS, DDNS, RTP, RTSP, RTCP, PPPoE, NTP, UPnP™, SMTP, SNMP, IGMP, 802.1X, QoS, IPv6, Bonjour
General Function	One-key reset, anti-flicker, heartbeat, mirror, password protection, privacy mask, watermark, IP address filter
Firmware Version	V5.5.3
API	ONVIF (PROFILE S, PROFILE G), ISAPI
Simultaneous Live View	Up to 6 channels
User/Host	Up to 32 users 3 levels: Administrator, Operator and User
Client	iVMS-4200, Hik-Connect, iVMS-5200, iVMS-4500
Web Browser	IE8+, Chrome 31.0-44, Firefox 30.0-51, Safari 8.0+
Interface	
Audio (-S)	1 input (line in), 1 output (line out), mono sound
Communication Interface	1 RJ45 10M/100M self-adaptive Ethernet port
Alarm (-S)	1 input, 1 output
On-board Storage	Built-in micro SD/micro SDHC/micro SDXC slot, up to 128 GB
Reset Button	Yes
Wi-Fi (-W)	
Wireless Standards	IEEE 802.11b/g/n
Frequency Range	2.4 GHz to 2.4835 GHz
Channel Bandwidth	20/40MHz
Protocols	802.11b: DQPSK, DBPSK, CCK 802.11g/n: 64-QAM, 16-QAM, QPSK, BPSK
Security	64/128-bit WEP, WPA/WPA2, WPA-PSK/WPA2-PSK, WPS
Transfer Rates	11b: 11Mbps, 11g: 54Mbps, 11n: 65Mbps
Wireless Range	50 m
Audio (-S)	
Environment Noise Filtering	Yes
Audio Sampling Rate	8 kHz/16 kHz/32 kHz/44.1 kHz/48 kHz
General	
Operating Conditions	-30 °C to +60 °C (-22 °F to +140 °F), humidity 95% or less (non-condensing)
Power Supply	12 VDC ± 25%, PoE (802.3af, class 3)
Power Consumption and Current	PoE: (802.3af, 36V-57V), 0.2 A to 0.1 A, max. 6.5W 12 VDC, 0.4 A, max. 5W
Protection Level	IP67, IK10
Material	Front cover: plastic, base: metal
Dimensions	Camera: Ø 111 × 82.4 mm (Ø 4.4" × 3.2") With package: 135 × 135 × 110 mm (5.3" × 5.3" × 4.3")
Weight	Camera: approx. 497 g (1.1 lb.) With package: approx. 597 g (1.3 lb.)

Available Models:

PNC322-TD (2.8/4mm), PNC322-TDA(2.8mm)

Dimensions



Accessories



P-258ZJ
Wall Mount



P-272ZJ-110B
Wall Mount



P-271ZJ-110
Pendant Mount



P-275ZJ
Vertical Pole Mount



P-276ZJ
Corner Mount



P-280ZJ-DM18
Junction Box