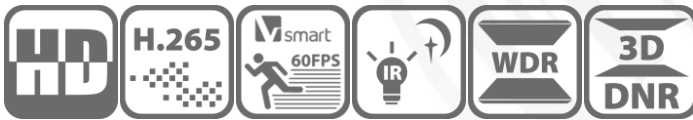


PNC332-TDM
2 MP IR Fixed Dome Network Camera



- 1/2.8" Progressive Scan CMOS
- 1920 × 1080@60fps
- 2.8/4/6 mm fixed lens
- Color: 0.009 Lux @ (F1.6, AGC ON), 0 Lux with IR
- H.265, H.264,
- 120dB WDR
- 4 Behavior analyses, and face detection
- BLC/3D DNR/ROI/HLC
- IK10
- Built-in micro SD/SDHC/SDXC card slot, up to 128 GB
- 3-Axis adjustment
- IR range: Up to 30 m
- Powered by Darkfighter

Specifications

Camera	
Image Sensor	1/2.8" Progressive Scan CMOS
Min. Illumination	Color: 0.009 Lux @ (F1.6, AGC ON), 0 Lux with IR
Shutter Speed	1/3 s to 1/100,000 s
Slow Shutter	Yes
Day & Night	IR Cut Filter
WDR	120 dB
Angle Adjustment	Pan: 0° to 355°, tilt: 0° to 75°, rotate: 0° to 355°
Lens	
Lens Type	2.8/4/6 mm
Aperture	F1.6
FOV	2.8 mm, horizontal FOV: 108°, vertical FOV: 58°, diagonal FOV: 128° 4 mm, horizontal FOV: 86°, vertical FOV: 46°, diagonal FOV: 103° 6 mm, horizontal FOV: 52°, vertical FOV: 29°, diagonal FOV: 60°
Lens Mount	M12
Illuminator	
IR Range	Up to 30 m
Wavelength	850 nm
Video	
Max. Resolution	1920 × 1080
Main Stream	50Hz: 50fps (1920 × 1080, 1280 × 720) 60Hz: 60fps (1920 × 1080, 1280 × 720)
Sub Stream	50Hz: 25fps (640 × 480, 640 × 360, 320 × 240) 60Hz: 30fps (640 × 480, 640 × 360, 320 × 240)
Video Compression	Main stream: H.265/H.264 Sub-stream: H.265/H.264/MJPEG
H.264 Type	Main Profile/High Profile
H.264+	No
H.265 Type	Main Profile
H.265+	No
Video Bit Rate	32 Kbps to 16 Mbps
Audio	
Audio Compression	G.711/G.722.1/G.726/MP2L2/PCM/MP3
Audio Bit Rate	64Kbps(G.711)/16Kbps(G.722.1)/16Kbps(G.726)/32-192Kbps(MP2L2)/8-320Kbps(MP3)
Environment Noise Filtering	Yes
Audio Sampling Rate	8 kHz/16 kHz/32 kHz/44.1 kHz/48 kHz

Smart Feature-Set	
Smart Event	Line crossing detection, intrusion detection, unattended baggage detection, object removal detection, face detection, scene change detection
Basic Event	Motion detection, video tampering alarm, exception (network disconnected, IP address conflict, illegal login, HDD full, HDD error)
Linkage Method	Trigger recording: memory card, network storage, pre-record and post-record Trigger captured pictures uploading: FTP, HTTP, NAS, Email Trigger notification: HTTP, ISAPI, Email
Region of Interest	1 fixed region for main stream and sub-stream
Image	
Image Enhancement	BLC, HLC, 3D DNR
Image Setting	Saturation, brightness, contrast, sharpness, AGC, and white balance are adjustable by client software or web browser
Day/Night Switch	Day/Night/Auto/Schedule/Triggered by Alarm In
Network	
Network Storage	microSD/SDHC/SDXC card (128 GB), local storage and NAS (NFS,SMB/CIFS), ANR Together with high-end memory card, memory card encryption and health detection are supported.
Protocols	TCP/IP, ICMP, HTTP, HTTPS, FTP, DHCP, DNS, DDNS, RTP, RTSP, RTCP, PPPoE, NTP, UPnP™, SMTP, SNMP, IGMP, 802.1X, QoS, IPv6, UDP, Bonjour, SSL/TLS
API	ONVIF (PROFILE S, PROFILE G, PROFILE T), ISAPI, SDK
Security	Password protection, complicated password, HTTPS encryption, 802.1X authentication (EAP-TLS 1.2, EAP-LEAP, EAP-MD5), watermark, IP address filter, basic and digest authentication for HTTP/HTTPS, WSSE and digest authentication for ONVIF, TLS1.2
Simultaneous Live View	Up to 6 channels
User/Host	Up to 32 users, 3 levels: administrator, operator and user
Client	Guarding Vision
Web Browser	Plug-in required live view: IE8+ Plug-in free live view: Chrome 57.0+ Local Service: Chrome 41.0+
Interface	
Communication Interface	1 RJ45 10M/100M self-adaptive Ethernet port
Audio	1 input (line in/mic in, terminal block), 1 output (two-core terminal block), mono sound
Alarm	1 input, 1 output (max. 12VDC, 30 mA)
Video Output	1 HDMI™, type D, female plug (-M)
On-board storage	Built-in micro SD/SDHC/SDXC slot, up to 128 GB
HDMI Output	1920 × 1080 @50/60 fps(50/60 Hz), 1280 × 720 @50/60 fps(50/60 Hz)

General	
Web Client Language	32 languages English, Russian, Estonian, Bulgarian, Hungarian, Greek, German, Italian, Czech, Slovak, French, Polish, Dutch, Portuguese, Spanish, Romanian, Danish, Swedish, Norwegian, Finnish, Croatian, Slovenian, Serbian, Turkish, Korean, Traditional Chinese, Thai, Vietnamese, Japanese, Latvian, Lithuanian, Portuguese (Brazil)
General Function	Anti-flicker, heartbeat, mirror, privacy masks, password reset via e-mail, pixel counter, HTTP listening
Reset	Reset via reset button on camera body, web browser and client software
Startup and Operating Conditions	IR on: -10 °C to 40 °C (14 °F to 104 °F), humidity 95% or less (non-condensing) IR off: -10 °C to 50 °C (14 °F to 122 °F), humidity 95% or less (non-condensing)
Storage Conditions	-10 °C to 40 °C (14 °F to 104 °F), humidity 95% or less (non-condensing)
Power Supply	Socket style interface: 12 VDC ± 25%, Φ 5.5 mm coaxial power plug; reverse polarity protection; PoE (802.3af, class 3) Pigtail style interface: 12 VDC ± 25%, two-core terminal block; reverse polarity protection; PoE (802.3af, class 3)
Power Consumption and Current	12 VDC, 0.6 A, max. 7 W; PoE (802.3af, 36 V to 57 V), 0.3 A to 0.2 A, max. 8. 5W
Material	Metal
Dimensions	Camera: Φ 119 × 90 mm (Φ 4.7" × 3.5")
Weight	Camera: Approx. 520 g (1.1 lb.) With package: Approx. 750 g (1.7 lb.)
Approval	
EMC	47 CFR Part 15, Subpart B; EN 55032: 2015, EN 61000-3-2: 2014, EN 61000-3-3: 2013, EN 50130-4: 2011 +A1: 2014; AS/NZS CISPR 32: 2015; ICES-003: Issue 6, 2016; KN 32: 2015, KN 35: 2015
Safety	UL 60950-1, IEC 60950-1:2005 + Am 1:2009 + Am 2:2013, EN 60950-1:2005 + Am 1:2009 + Am 2:2013, IS 13252(Part 1):2010+A1:2013+A2:2015
Chemistry	2011/65/EU, 2012/19/EU, Regulation (EC) No 1907/2006
Protection	Ingress protection: IP42(IEC 60529-2013), IK10 (IEC 62262:2002)

* Listed resolutions are only selectable options. It does not mean that all streams can work at their maximum resolution at the same time.

Available Model

PNC332-TDM

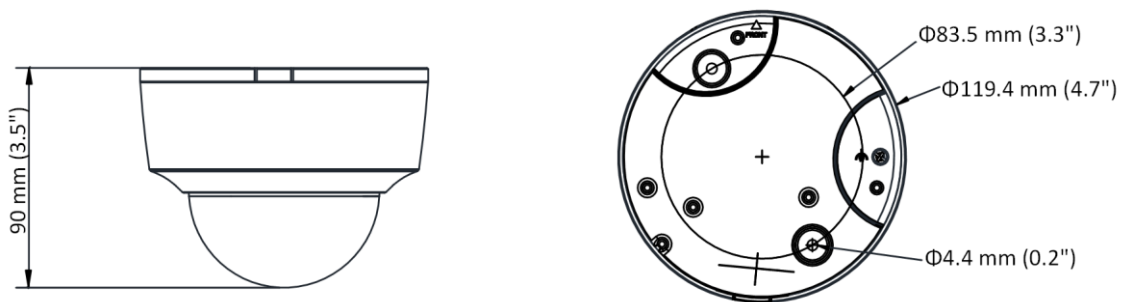
▪ Typical Application

Perfect View products are classified into three levels according to their anti-corrosion performance. Refer to the following description to choose for your using environment.

This model has NO SPECIFIC PROTECTION.

Level	Description
Top-level protection	Perfect View products at this level are equipped for use in areas where professional anti-corrosion protection is a must. Typical application scenarios include coastlines, docks, chemical plants, and more.
Moderate protection	Perfect View products at this level are equipped for use in areas with moderate anti-corrosion demands. Typical application scenarios include coastal areas about 2 kilometers (1.24 miles) away from coastlines, as well as areas affected by acid rain.
No specific protection	Perfect View products at this level are equipped for use in areas where no specific anti-corrosion protection is needed.

Dimension



Accessory



P-271ZJ-120
Pendant Mount



P-272ZJ-120B
Wall Mount



P-272ZJ-120-TR15
Wall Mount



P-280ZJ-DM46
Junction Box