

PNC348-XBLSP/2.8 4K ColorVu Fixed Bullet Solar Power Network Camera Kit

ColorVu

AcuSense



It can be used in the areas that are not suitable for laying wired network and electric supply lines, or used for the scenes that feature tough environment and have high demanding for device stability. The camera system is ideal for monitoring remote areas without access to traditional power such as fields, farms, vineyards, construction sites, hard-to-reach perimeters, and more. Hikvision ColorVu technology provides 24/7 vivid colorful images with F1.0 advanced lenses and high performance sensors. F1.0 super-aperture collects more light to produce brighter images. Advanced sensor technology can vastly improve the utilization of available light. Empowered by deep learning algorithms, Hikvision AcuSense technology brings human and vehicle targets classification alarms to front- and back-end devices. The system focuses on human and vehicle targets, vastly improving alarm efficiency and effectiveness.

- High quality imaging with 8 MP@ 15fps resolution
- 24/7 Colorful imaging
- Clear imaging against strong back light due to 120 dB true WDR technology
- Focus on human and vehicle targets classification based on deep learning
- 80 W photovoltaic panel, 30 Ah chargeable lithium battery
- Support battery management, battery display, battery high-low temperature protection, charge-discharge protection, low-battery sleep protection and remote wakeup
- Support up to 256GB Micro SD card
- Camera: Water and dust resistant (IP67)
- Built-in 64 GB eMMC storage

▪ Specification

Camera	
Image Sensor	1/1.2" Progressive Scan CMOS
Min. Illumination	Color: 0.0005 Lux @ (F1.0, AGC ON), B/W: 0 Lux with white light
Max. Resolution	3840 × 2160
Shutter Time	1 s to 1/100,000 s
Lens	
Focal Length & FOV	2.8 mm, horizontal FOV: 101.6°, vertical FOV: 52.4°, diagonal FOV: 124° 4 mm, horizontal FOV: 88.2°, vertical FOV: 48.7°, diagonal FOV: 101.8°
Lens Type	Fixed focal lens, 2.8 and 4 mm optional
Iris Type	Fixed
Aperture	F1.0
Lens Mount	M20
DORI	
DORI	2.8 mm: D: 44 m, O: 17.5 m, R: 9 m, I: 4.5 m 4 mm: D: 53 m, O: 21 m, R: 11 m, I: 5 m
Illuminator	
Supplement Light Type	White Light
Supplement Light Range	Up to 30 m
Smart Supplement Light	Yes
Video	
Main Stream	50 Hz: 12.5 fps (3840 × 2160, 2688 × 1520, 1920 × 1080, 1280 × 720) 60 Hz: 15 fps (3840 × 2160, 2688 × 1520, 1920 × 1080, 1280 × 720)
Sub-Stream	50 Hz: 12.5 fps (640 × 480, 640 × 360) 60 Hz: 15 fps (640 × 480, 640 × 360)
Video Compression	Main stream: H.265 Sub-stream: H.265/MJPEG *Full power mode: main stream supports H.265+
Video Bit Rate	32 Kbps to 16 Mbps
H.265 Type	Main Profile
Bit Rate Control	CBR/VBR
Scalable Video Coding (SVC)	H.265 encoding
Region of Interest (ROI)	4 fixed regions for main stream
Network	
Simultaneous Live View	Up to 6 channels
API	Open Network Video Interface (Profile S, Profile G, Profile T), ISAPI, SDK, ISUP
Protocols	TCP/IP, ICMP, HTTP, HTTPS, FTP, DHCP, DNS, DDNS, RTP, RTSP, RTCP, NTP, UPnP, SMTP, SNMP, IGMP, 802.1X, QoS, IPv6, UDP, Bonjour, SSL/TLS
User/Host	Up to 32 users. 3 user levels: administrator, operator and user
Security	Password protection, complicated password, HTTPS encryption, 802.1X authentication (EAP-MD5), watermark, IP address filter, basic and digest authentication for HTTP/HTTPS, WSSE and digest authentication for Open Network Video Interface, RTP/RTSP over HTTPS, control timeout settings, TLS 1.2

Network Storage	NAS (NFS, SMB/CIFS), auto network replenishment (ANR) Together with high-end Hikvision memory card, memory card encryption and health detection are supported.
Client	Hik-Connect (low power mode also supports), Hik-central Professional
Web Browser	Plug-in required live view: IE 10+ Plug-in free live view: Chrome 57.0+, Firefox 52.0+ Local service: Chrome 57.0+, Firefox 52.0+
Mobile Communication	
SIM Card Type	MicroSIM
Frequency	<p>PNC348-XBLSP/2.8: LTE-TDD: Band38/40/41 LTE-FDD: Band1/3/5/7/8/20/28 WCDMA: Band1/5/8 GSM: Band3/5/8</p> <p>PNC348-XBLSP/2.8 (US): LTE-FDD: Band2/4/5/12/13/17/66/71 WCDMA: Band2/4/5</p> <p>PNC348-XBLSP/2.8 (LA): LTE-TDD: Band38/40 LTE-FDD: Band1/2/3/4/5/7/8/12/17/20/28/66 WCDMA: Band1/2/3/4/5/8 GSM: Band2/3/5/8</p> <p>PNC348-XBLSP/2.8 (JP): LTE-TDD: Band41 LTE-FDD: Band1/3/8/11/18/19/21/26/28 WCDMA: Band1/8</p>
Standard	PNC348-XBLSP/2.8: LTE-TDD/LTE-FDD/WCDMA/GSM PNC348-XBLSP/2.8 (US): LTE-FDD/WCDMA PNC348-XBLSP/2.8 (LA): LTE-TDD/LTE-FDD/WCDMA/GSM PNC348-XBLSP/2.8 (JP): LTE-TDD/LTE-FDD/WCDMA
Image	
Wide Dynamic Range (WDR)	120 dB
Day/Night Switch	Day, Night, Auto, Schedule
Image Enhancement	BLC, HLC, 3D DNR
Image Parameters Switch	Yes
Image Settings	Saturation, brightness, contrast, sharpness, gain, white balance adjustable by client software or web browser
SNR	≥ 52 dB
Privacy Mask	4 programmable polygon privacy masks
Interface	
RS-485	1 RS-485 (half duplex)
On-Board Storage	Built-in memory card slot, support microSD card, up to 256 GB; Built-in 64 GB eMMC storage

Reset Key	Yes
Ethernet Interface	1 RJ45 10 M/100 M self-adaptive Ethernet port
Event	
Basic Event	Motion detection, video tampering alarm, exception (network disconnected, IP address conflict, illegal login, HDD full, HDD error)
Smart Event	Line crossing detection, up to 4 regions configurable Intrusion detection, up to 4 regions configurable Region entrance detection, up to 4 regions configurable Region exiting detection, up to 4 regions configurable Unattended baggage detection, up to 4 regions configurable Object removal detection, up to 4 regions configurable, The smart events are only supported under full power mode.
Linkage	Upload to FTP/NAS/memory card, notify surveillance center, send email, trigger recording, trigger capture
General	
Power	12 VDC \pm 20%, \varnothing 5.5 mm coaxial power plug 1. Standby power consumption: 53 mW 2. The average power consumption of 24 hours: 2W (Mobile Communication is excluded). 3. The max. power consumption: 3.2 W
Material	Front cover: metal, body: metal, bracket: metal
Dimension	829.9 \times 696.3 \times 760 mm (32.7" \times 27.4" \times 30") (Max. size of the camera after it is completely assembled)
Package Dimension	862 \times 292 \times 765 mm (33.9" \times 10.3" \times 30.1")
Weight	Approx. 25.4 kg (56.0 lb.)
With Package Weight	Approx. 30.1 kg (66.3 lb.)
Storage Conditions	-20 $^{\circ}$ C to 60 $^{\circ}$ C (-4 $^{\circ}$ F to 131 $^{\circ}$ F). Humidity 95% or less (non-condensing)
Startup and Operating Conditions	-20 $^{\circ}$ C to 60 $^{\circ}$ C (-4 $^{\circ}$ F to 131 $^{\circ}$ F). Humidity 95% or less (non-condensing)
Language	33 languages: English, Russian, Estonian, Bulgarian, Hungarian, Greek, German, Italian, Czech, Slovak, French, Polish, Dutch, Portuguese, Spanish, Romanian, Danish, Swedish, Norwegian, Finnish, Croatian, Slovenian, Serbian, Turkish, Korean, Traditional Chinese, Thai, Vietnamese, Japanese, Latvian, Lithuanian, Portuguese (Brazil), Ukrainian
General Function	Anti-flicker, heartbeat, mirror, privacy masks, flash log, password reset via email, pixel counter
Battery	
Battery Type	Lithium
Capacity	30 Ah
Max. Output Voltage	12.6 V
Battery Voltage	10.8 V
Operating Temperature	Charging: -20 $^{\circ}$ C to 45 $^{\circ}$ C (-4 $^{\circ}$ F to 131 $^{\circ}$ F) Discharging: -20 $^{\circ}$ C to 60 $^{\circ}$ C (-4 $^{\circ}$ F to 140 $^{\circ}$ F)
Battery Life	More than 500 cycles
Battery Weight	Approx. 3.3 kg (7.3 lb.)
Extended Dimension	236 \times 154 \times 80 mm (9.3" \times 6.1" \times 3.2")

Approval

EMC	CE-EMC (EN 55032: 2015, EN 61000-3-2:2019, EN 61000-3-3: 2013+A1:2019, EN 50130-4: 2011+A1: 2014); RCM (AS/NZS CISPR 32: 2015); FCC (47 CFR Part 15, Subpart B); IC (ICES-003: Issue 7)
RF	CE: CE-RED (EN 301908-1,EN 301908-2,EN 301908-13, EN 301511,EN 301489-1,EN 301489-52,EN 62133); ICASA: same as CE-RED FCC ID (47 CFR Part15 Subpart C); IC ID (RSS-132 Issue 3, RSS-133 Issue 6, RSS-139 Issue 3, RSS-130 Issue 2, RSS-102 Issue 5); MIC (Article 49-6-4 and 49-6-5 the relevant articles and MIC Notice No. 1299 of the Ordinance Regulating Radio Equipment)
Safety	CB (IEC 62368-1:2014+A11) CE-LVD (EN 62368-1:2014/A11:2017) LOA (IEC/EN 60950-1)
Environment	CE-RoHS (2011/65/EU); WEEE (2012/19/EU); Reach (Regulation (EC) No 1907/2006)
Protection	Camera: IP67 (IEC 60529-2013) Wind resistance 12 level

*The battery should be ordered separately.

▪ Available Model

PN348-XBLSP/2.8 (2.8 mm)

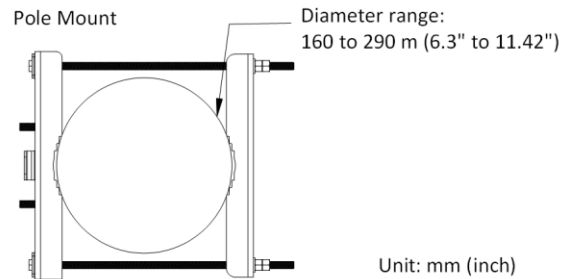
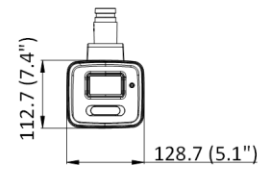
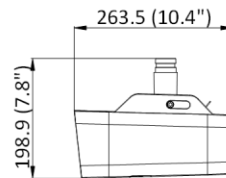
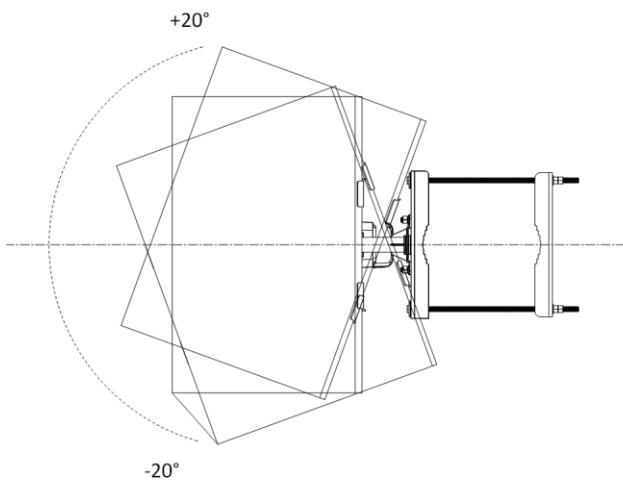
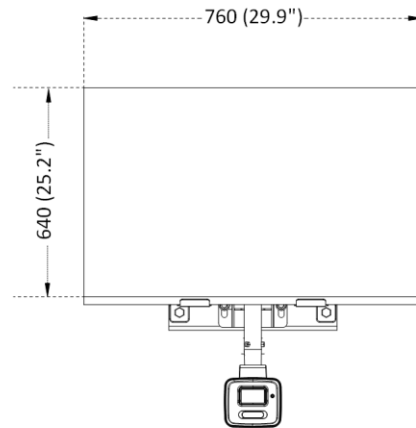
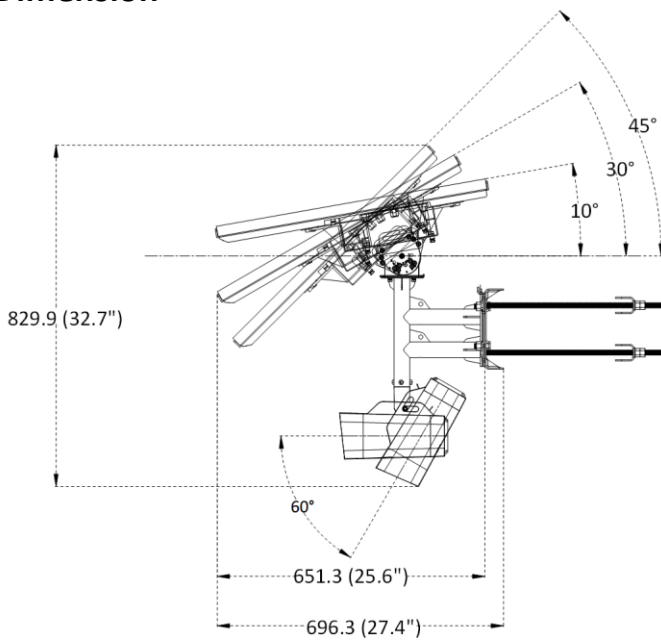
▪ Typical Application

Perfect View products are classified into three levels according to their anti-corrosion performance. Refer to the following description to choose for your using environment.

This model has MODERATE SPECIFIC PROTECTION.

Level	Description
Top-level protection	Perfect View products at this level are equipped for use in areas where professional anti-corrosion protection is a must. Typical application scenarios include coastlines, docks, chemical plants, and more.
Moderate protection	Perfect View products at this level are equipped for use in areas with moderate anti-corrosion demands. Typical application scenarios include coastal areas about 2 kilometers (1.24 miles) away from coastlines, as well as areas affected by acid rain.
No specific protection	Perfect View products at this level are equipped for use in areas where no specific anti-corrosion protection is needed.

▪ Dimension



Unit: mm (inch)

▪ Accessory

▪ Optional

Lithium Battery

