

Key Feature

Villa Door Station

- Standard PoE
- 2 MP HD camera
- Noise suppression and echo cancellation
- Low illumination
- Access control functions
- Tamper-proof
- Configuration remotely via Web

Network Indoor Station

- 7-inch colorful touch screen with resolution 1024 × 600
- Standard PoE
- Stores messages and captured pictures in the TF card
- Remote unlocking via the client software or the mobile client
- Views live videos of door stations and linked cameras
- Supports wireless network

Approval

Villa Door Station

CE-EMC	a. EN 55032:2015 b. EN 61000-3-2:2014 c. EN 61000-3-3:2013 d. EN 50130-4:2011 +A1:2014
CE-LVD	EN 60950-1:2006 + A11:2009 + A1:2010 + A12:2011 + A2:2013
CB	IEC 60950-1:2005 (Second Edition) + Am 1:2009 + Am 2:2013
FCC-SDOC	47 CFR Part 15, Subpart B

C-TICK(EMC)	AS/NZS CISPR 32:2015
UL	UL 60950-1 & CAN/CSA C22.2 No. 60950-1-07, Information Technology Equipment – Safety – Part 1: General Requirements
ROHS	2011/65/EU
REACH	Regulation (EC) No 1907/2006
WEEE	2012/19/EU

Network Indoor Station

CE-EMC	a. EN 55032:2015 b. EN 61000-3-2:2014 c. EN 61000-3-3:2013 d. EN 50130-4:2011 +A1:2014
CE-LVD	EN 60950-1:2006 + A11:2009 + A1:2010 + A12:2011 + A2:2013
CE-RED	a. EN 201 489-1 V2.1.1, EN 301 489-17 V3.1.1 b. EN 300 328 V2.1.1, EN 62311:2008
CB	IEC 60950-1:2005 (Second Edition) + Am 1:2009 + Am 2:2013
FCC-SDOC	47 CFR Part 15, Subpart B
FCC-ID	47 CFR Part 15, Subpart B
C-TICK(EMC)	AS/NZS CISPR 32:2015
C-TICK(RF)	AS/NZS 4268:2017
UL	UL 60950-1 & CAN/CSA C22.2 No. 60950-1-07, Information Technology Equipment – Safety – Part 1: General Requirements
IC(EMC)	ICES-003:Issue 6
IC(RF)	RSS-247 Issue 2, February 2017, RSS-Gen Issue 5, April 2018
ROHS	2011/65/EU
REACH	Regulation (EC) No 1907/2006
WEEE	2012/19/EU

Specification

Villa Door Station

System parameters

Operation system Embedded Linux operation system

Operation method Single-button

Flash 32 M

RAM 256 M

Video Parameters

Camera 2MP HD camera

Night vision Low illumination IR supplement mode:3 m

BLC Support

DNR Support

WDR True WDR

Field of view Horizontal: 129° Vertical: 75°

Video compression standard H.264

Stream Main stream: 1080p@30fps, 720p@25fps
Sub stream: D1@25fps

Resolution Main stream: 1920 × 1080p, 720p
Sub stream: 704 × 576

Motion detection Support

Anti-flicker frequency 50 Hz, 60 Hz

Audio parameters

Audio intercom Two-way audio communication

Audio input Built-in omnidirectional microphone

Audio output Built-in loudspeaker

Audio compression standard G.711 U

Audio compression Rate 64 Kbps

Audio quality Noise suppression and echo cancellation

Network parameters

Wired network 10/100 Mbps Ethernet

Network protocol TCP/IP, RSTP

Access control parameters

Reading frequency 13.56 MHz

Card type Mifare card

Relay 1

Interfaces

RS-485 1

Wi-Fi 2.4G Wi-Fi

Debugging port 1

TF card 0

Alarm input 4

Grounding 1

Physical button 1

TAMPER switch 1

General

Protection level IP65

Indicator 2

Power supply IEEE802.3af, standard PoE
12 VDC

Power consumption < 10 W

Working temperature -40° C to +60° C (-40° F to 140° F)

Working humidity 10% to 95%

Installation Surface mounting

Dimension 138 mm × 65 mm × 27 mm

Indoor Station

System parameters

Memory 128 MB

Flash 32 MB

Operation system Embedded Linux operation system

Display parameters

Display screen 7-inch colorful TFT screen

Display resolution 1024 × 600

Operation method Capacitive touch screen

Audio parameters

Audio input Built-in omnidirectional microphone

Audio output Built-in loudspeaker

Audio compression standard G.711 U

Audio compression rate 64 Kbps

Audio quality Noise suppression and echo cancellation

Network parameters

Wired network 10/100 Mbps self-adaptive

Wireless network Wi-Fi 802.11 b/g/n

Network protocol TCP/IP, SIP, RTSP

Network interface 1 RJ-45 10/100 Mbps self-adaptive

Interfaces

Alarm input 8-ch alarm inputs

Relay output 2

TF card Max to 32 G, SD 2.0 or lower version

RS485 1

General

Power supply IEEE802.3af, standard PoE
12 VDC/1 A

Power consumption ≤ 6 W

Working temperature -10 °C to 55 °C (14 °F to 131 °F)

Working humidity 10% to 90%

Dimensions 200 mm × 140 mm × 15.1 mm (7.9" × 5.5" × 0.6")

Weight

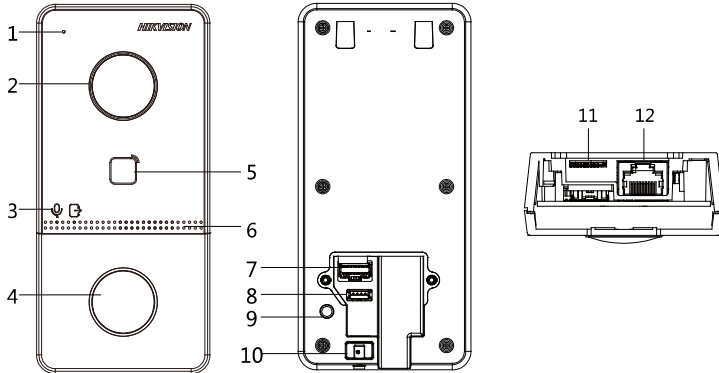
1.599 kg

Available Model

PACC-KIS603-P

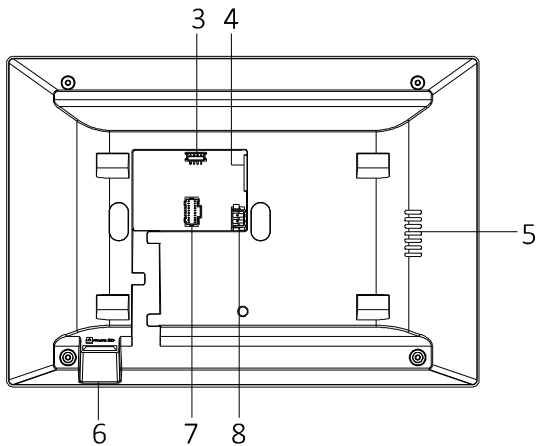
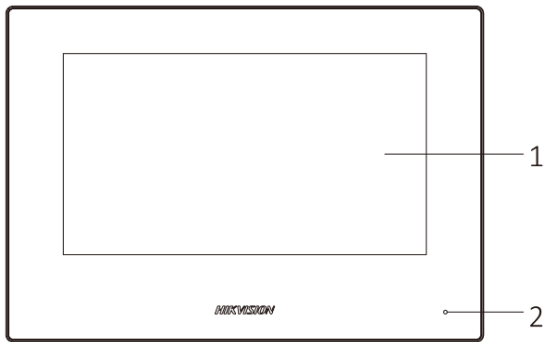
Physical Interfaces

Villa Door Station



No.	Description	No.	Description
1	Microphone	7	Terminals
2	Camera	8	Debugging Port
3	Indicator	9	TAMPER
4	Button	10	Set Screw
5	Card Reading Area	11	TF Card Slot
6	Loudspeaker	12	Network Interface

Network Indoor Station

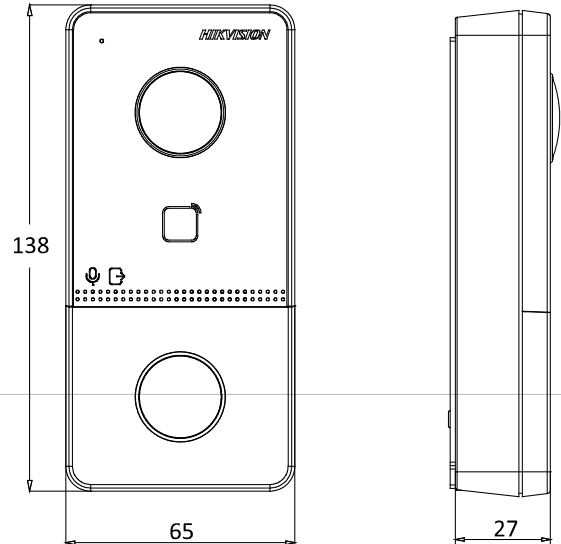


No.	Description	No.	Description
1	Screen	5	Loudspeaker
2	Microphone	6	TF Card Slot
3	Debugging Port	7	Alarm Terminal
4	Network Interface	8	Power Supply

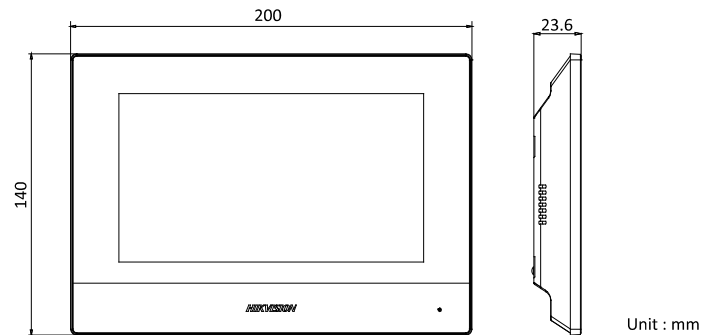
Note: The debugging port is used for debugging only.

Dimension

Villa Door Station



Network Indoor Station



Unit : mm

Typical Application

