



HAC304-MB 2 MP WDR IR Bullet Camera



Key Features

- 2 Megapixel High Resolution
- Analog HD output, up to 1080p resolution
- True Day/Night
- OSD Menu, 3D DNR, Smart IR
- True WDR, up to 120dB
- Up to 20m IR distance
- IP66 weatherproof
- Up the Coax(Pelco-C protocol)

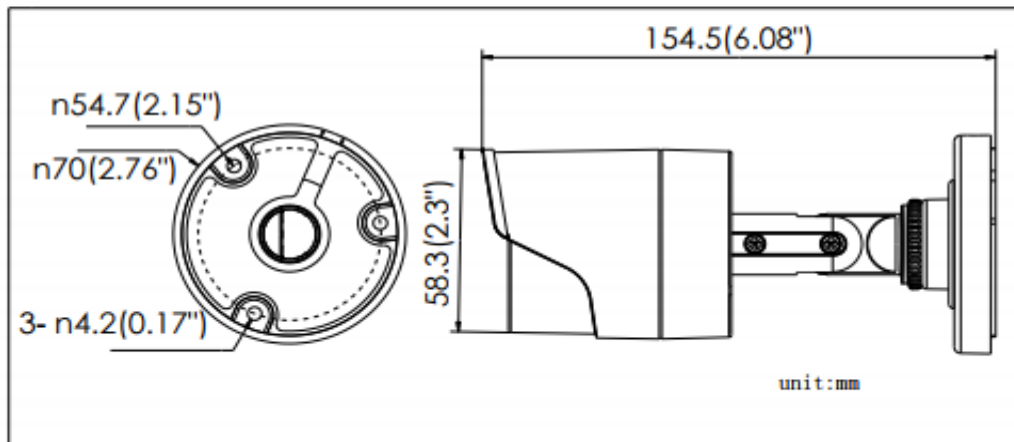
Specifications

Camera	
Image Sensor	2MP CMOS Image Sensor
Signal System	PAL/NTSC
Effective Pixels	1944(H)*1092(V)
Min. illumination	0.01 Lux @ (F1.2,AGC ON),0 Lux with IR
Shutter Time	1/25(1/30)s to 1/50,000s
Lens	3.6mm (6mm optional)
Lens Mount	φ12
Day & Night	ICR
Angle Adjustment	Pan: 0 – 360°, Tilt: 0-180°, Rotation: 0 – 360°
Angle of View	82.6°(3.6mm), 54.4°(6mm)
CVBS Output	1Vp-p Composite Output(75/BNC)
WDR	120dB
Video Frame Rate	1080p@25fps/1080p@30fps
HD Video Output	1 Analog HD output
S/N Ratio	>62dB
Menu	
Scene	Indoor, Outdoor, Indoor1, LOW-LIGHT
Camera ID	On/off (15 characters, position programmable)
AGC	Support
D/N Mode	Color/BW/SMART
White Balance	ATW/AWC-Set/Manual
BLC	Support
Functions	HSBLC, Digital noise reduction, Digital zoom(62x), Slow shutter, Mirror, Defog, Defect pixel correction, SMART D-ZOOM
Anti-flicker	On/Off
Privacy Mask	On/Off, maximum 8 zones
Motion Detection	On/Off, maximum 4 zones
Language	English, Japanese, CHN1, CHN2, Korean, German, French, Italian, Spanish, Polish, Russian, Portuguese, Dutch, Turkish, Hebrew and Arabic
General	
Operating Conditions	-30 °C to +60 °C (-22 °F to +140 °F), Humidity 90% or less (non-condensing)
Power Supply	12 VDC ± 15%
Power Consumption	Max. 4W
Protection Level	IP66
IR Range	Up to 20m
Communication	Up the coax, Protocol: Pelco-C(CVBS Output), Perfect View (TVI-Output)
Dimensions	Φ70 mm x 149.5 mm (Φ2.76" x 5.89)
Weight	Approx. 360g (0.79lb)

Order Models

DS-2CE16D5T-IR

Dimensions



Accessories



DS-1280ZJ-XS
Junction box



DS-1H18
Video Balun



X41T
Camera Tester