

HAC304-VD4Z

HD1080P WDR Motorized Varifocal IR Turret Camera



Key Features

- 2 Megapixel High Resolution
- Analog output, up to 1080p resolution
- 2.8-12mm vari-focal lens
- True Day/Night
- OSD Menu, 3D DNR, Smart IR
- True WDR, up to 120dB
- Up to 40m IR distance
- IP66 weatherproof & vandal-proof
- Up the Coax(Pelco-C protocol)

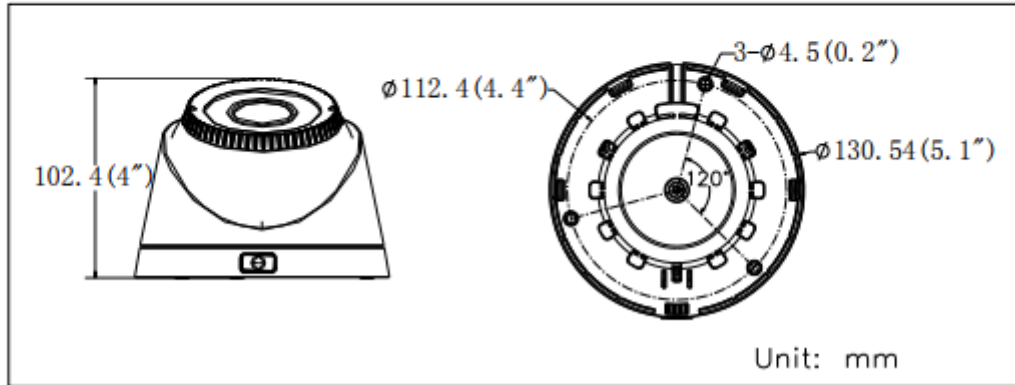
Specifications

Camera	
Image Sensor	2MP CMOS Image Sensor
Signal System	PAL/NTSC
Effective Pixels	1944(H)*1092(V)
Min. illumination	0.01 Lux @ (F1.2,AGC ON),0 Lux with IR; 0.014 Lux @ (F1.4,AGC ON),0 Lux with IR
Shutter Time	1/25(1/30)s to 1/50,000s
Lens	2.8-12mm @ F1.4
Lens Mount	φ14
Day & Night	ICR
Angle Adjustment	Pan: 0 – 355°, Tilt: 0-75°, Rotation: 0 – 360°
Angle of View	103° - 32.1°
CVBS Output	1Vp-p Composite Output(75/BNC)
WDR	120dB
Video Frame Rate	1080p@25fps/1080p@30fps
HD Video Output	1 Analog HD output
S/N Ratio	>62dB
Menu	
Scene	Indoor, Outdoor, Indoor1, LOW-LIGHT
Camera ID	On/off (15 characters, position programmable)
AGC	Support
D/N Mode	Color/BW/SMART
White Balance	ATW/AWC-Set/Manual
BLC	Support
Functions	HSBLC, Digital noise reduction, Digital zoom(62x), Slow shutter, Mirror, Defog, Defect pixel correction, SMART D-ZOOM
Anti-flicker	On/Off
Privacy Mask	On/Off, maximum 8 zones
Motion Detection	On/Off, maximum 4 zones
Language	English, Japanese, CHN1, CHN2, Korean, German, French, Italian, Spanish, Polish, Russian, Portuguese, Dutch, Turkish, Hebrew and Arabic
General	
Operating Conditions	-30 °C – 60 °C (-22 °F – 140 °F), Humidity 90% or less (non-condensing)
Power Supply	12V DC±15%
Power Consumption	Max. 5W
Protection Level	IP66
IR Range	Up to 40m
Heater	Optional
Communication	Up the coax, Protocol: Pelco-C(CVBS Output), Perfect View (TVI-Output)
Dimensions	Φ130.54 × 102.4mm (Φ5.1" × 4")
Weight	710 g

Order Models

DS-2CE56D5T-IR3Z

Dimensions



Accessories



DS-1273ZJ-130-TRL

Wall Mounting



DS-1275ZJ

Vertical Pole Mounting



DS-1276ZJ

Corner Mounting



DS-1H18

Video Balun



X41T

Camera Tester



DS-1281ZJ-M

Inclined ceiling mounting



DS-1280ZJ-M

Junction Box