

**HAC304D-VB4ZH**

**HD1080P Motorized Varifocal IR Bullet Camera**



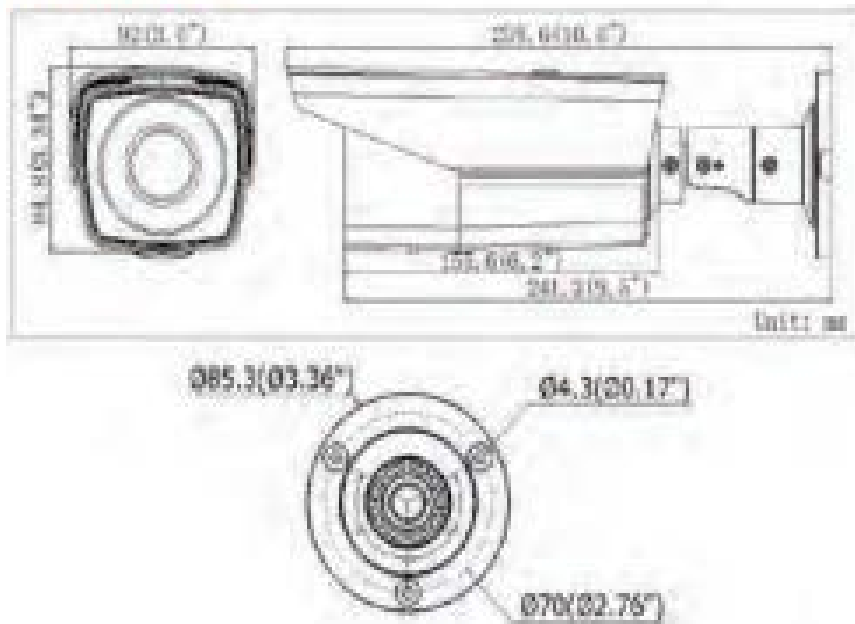
## Key Features

- 2 Megapixel High Resolution
- TurboHD output, up to 1080p resolution
- 2.8-12mm vari-focal lens
- True Day/Night
- OSD Menu, 3D DNR, Smart IR
- True WDR, up to 120dB
- Up to 40m IR distance
- Built-in heater(-H)
- UTC Function
- IP66 weatherproof & vandal-proof

## Specifications

<b>Camera</b>	
Image Sensor	2MP CMOS Image Sensor
Signal System	PAL/NTSC
Effective Pixels	1920 x 1080
Min. illumination	0.014 Lux @ (F1.4,AGC ON),0 Lux with IR
Shutter Time	1/25(1/30)s to 1/50,000s
Lens	2.8-12mm @ F1.4
Lens Mount	φ14
Day & Night	ICR
Angle Adjustment	Pan: 0 – 355°, Tilt: 0-75°, Rotation: 0 – 355°
Angle of View	103° - 32.1°
CVBS Output	1Vp-p Composite Output(75/BNC)
WDR	120dB
Video Frame Rate	1080p@25fps/1080p@30fps
HD Video Output	1 TurboHD output
S/N Ratio	> 52dB
<b>Menu</b>	
Scene	Indoor, Outdoor, Indoor1, LOW-LIGHT
Camera ID	On/off (15 characters, position programmable)
AGC	Support
D/N Mode	Color/BW/SMART
White Balance	ATW/AWC-Set/Manual
BLC	Support
Functions	HSBLC, Digital noise reduction, Digital zoom(62x), Slow shutter, Mirror, Defog, Defect pixel correction, SMART D-ZOOM
Anti-flicker	On/Off
Privacy Mask	On/Off, maximum 8 zones
Motion Detection	On/Off, maximum 4 zones
Language	English, Japanese, CHN1, CHN2, Korean, German, French, Italian, Spanish, Polish, Russian, Portuguese, Dutch, Turkish, Hebrew and Arabic
<b>General</b>	
Operating Conditions	-40° C to 60° C (-40° F to 140° F), humidity 90% or less (non-condensing)
Power Supply	12 VDC, 24 VAC
Power Consumption	Max. 12W
Protection Level	IP66
IR Range	Up to 40m
Heater	Optional
Communication	Up the coax, Protocol: Pelco-C(CVBS Output), Perfect View (TVI-Output)
Dimensions	92 mm × 84.8 mm × 269.6 mm (3.62" × 3.34" × 10.6")
Weight	690 g (1.52 lbs)

## Dimensions



## Accessories