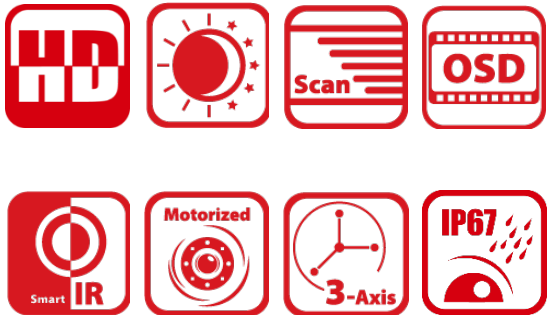


HAC306D-OD4Z 5 MP Ultra-Low Light VF EXIR Dome Camera



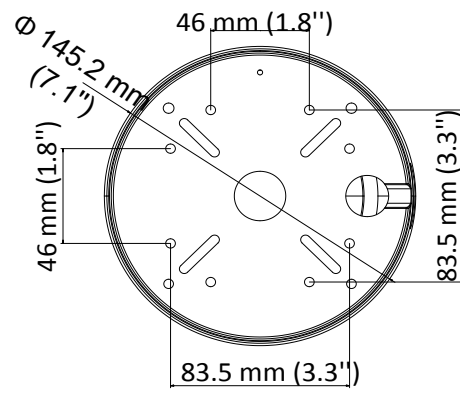
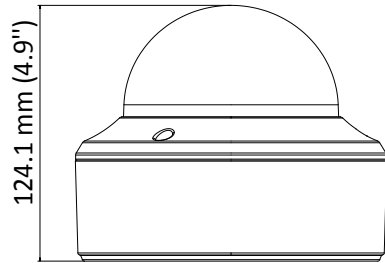
Key Features

- 5 megapixel high-performance CMOS
- HD analog output, up to 5 MP resolution
- 2.8 mm to 12 mm motorized vari-focal lens
- True Day/Night
- OSD menu, DNR, Smart IR
- EXIR technology, up to 40 m IR distance
- IP67, IK10
- Up the Coax

Specification

| Camera | |
|-----------------------------------|------------------------------------------------------------------------------|
| Image Sensor | 5 MP CMOS image sensor |
| Resolution | 2560 (H) × 1944 (V) |
| Min. illumination | Color: 0.008 Lux @ (F1.2, AGC ON), 0 Lux with IR |
| Shutter Time | PAL: 1/25 s to 1/50, 000 s NTSC: 1/30 s to 1/50, 000 s |
| Lens | 2.8 mm to 12 mm motorized vari-focal lens |
| Horizontal Field of View | 102° to 31° |
| Lens Mount | Φ14 |
| Day & Night | ICR |
| Angle Adjustment | Pan: 0° to 355°; Tilt: 0° to 75°; Rotate: 0° to 355° |
| Synchronization | Internal synchronization |
| Frame Rate | 2560 × 1944 @ 20fps |
| Menu | |
| AGC | Support |
| D/N Mode | Auto/Color/BW (Black and White) |
| White Balance | ATW/MWB |
| BLC | Support |
| DWDR (Digital Wide Dynamic Range) | Support |
| Language | English, Chinese |
| Functions | Brightness, Sharpness, Digital noise reduction, Mirror, Smart IR |
| Interface | |
| Video Output | 1 HD analog output |
| General | |
| Operating Conditions | -40 °C to 60 °C (-40 °F to 140 °F), humidity: 90% or less (non-condensation) |
| Power Supply | 12 V DC ±25%, 24 V AC ±25% |
| Power Consumption | Max. 6 W |
| Protection Level | IP67, IK10 |
| Material | Metal |
| IR Range | Up to 40 m |
| Communication | Up the coax, Protocol: HIKVISION-C (TVI output) |
| Dimensions | Φ 145.2 mm × 124.1 mm (Φ 5.72" × 4.89") |
| Weight | Approx. 1600 g (3.53 lb.) |

Dimension



Accessory



HTH-273ZJ-140B
Wall Mounting Bracket



HTH-275ZJ
Vertical Pole Mounting Bracket



HTH-276ZJ
Corner Mounting Bracket



HTH-271ZJ-140
Pendant Mounting Bracket