



HAC316-FN 5MP IR Fisheye Camera



Key Features

- 5 Megapixel high-performance CMOS
- Analog HD output, up to 5MP resolution
- IR cut filter with auto switch
- OSD Menu
- Built-in microphone
- Up the coax

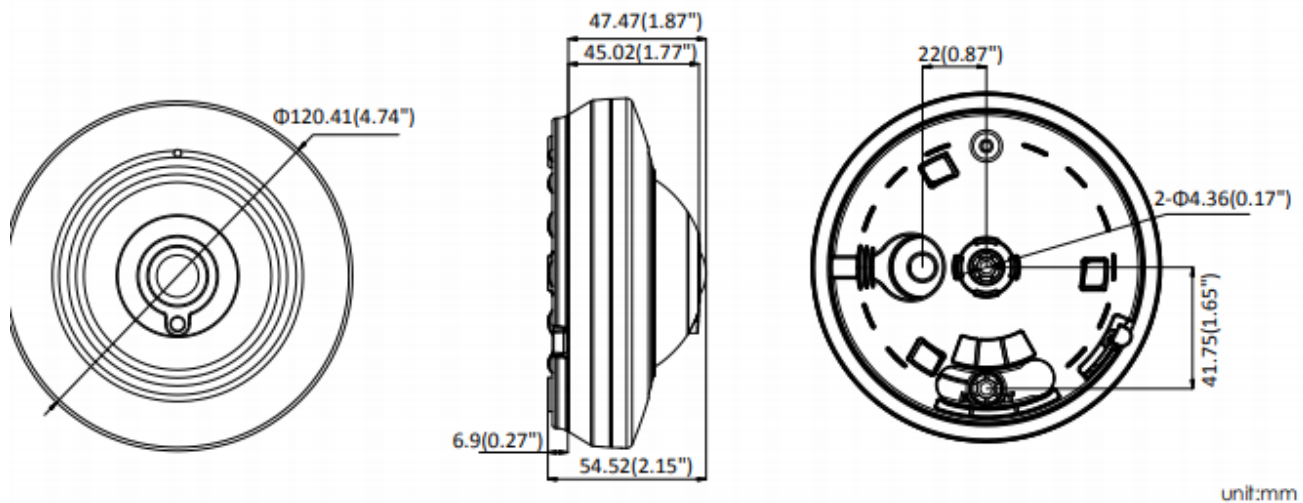
Specification

| Camera | |
|-------------------------------|---|
| Image Sensor | 5Mega Progressive Scan CMOS |
| Min. Illumination | 0.01 Lux @ (F1.2,AGC ON), 0 Lux with IR |
| Shutter Speed | 1/12.5s to 1/20,000s |
| Effective Pixels | 2592(H)*1944(V) |
| Lens | 1.1mm |
| Lens Mount | M12 |
| Angle Adjustment | Pan: 0°-30°; Tilt: 0°; Rotate: 0° |
| Day & Night | ICR |
| Synchronization | Internal Synchronization |
| Video Framerate | 5MP @ 12.5fps |
| HD Video Output | 1-ch BNC Output |
| Audio-in | Built-in Mic |
| Audio Out | 1-ch, BNC Output, (Output Impedance: 1KΩ) |
| Menu | |
| Mounting Type | Ceiling/Wall |
| Ceiling Mounting Display Mode | Default, Panorama, 4 PTZ, Fisheye & 3 PTZ, Annular, Mini-fisheye & 1 PTZ, Annular & 2 PTZ |
| Wall Mounting Display Mode | Default, Panorama, 4 PTZ, Fisheye & 3 PTZ, Panorama & 3 PTZ |
| D/N Mode | Color/BW/Auto |
| Functions | Brightness, contrast, saturation, sharpness |
| General | |
| Operating Conditions | -20 °C to 60 °C (-4 °F to 140 °F), Humidity 90% or less (non-condensing) |
| Power Supply | DC12V±15% |
| Power Consumption | 5.5W MAX |
| IR Range | 10-20m |
| Communication | Up the coax |
| Dimensions | Φ120.4mm×54.5mm (Φ4.74"×2.14") |
| Weight | Approx. 350g (0.77lb) |

Order Models

HAC316-FN

Dimensions



Accessories



DS-1299ZJ
Pendent Bracket



DS-1297ZJ
Pendent Bracket



DS-1294ZJ
Wall Mount Bracket



DS-1281ZJ-DM27
Inclined Bracket