

HAC334D-IDZ

2 MP Ultra-Low Light ZF EXIR Dome Camera



Key Features

- 2.0 megapixel high-performance CMOS
- Ultra-Low Light
- 1920x1080 resolution
- 2.8 mm to 12 mm motorized vari-focal lens
- 120 dB true WDR, 3D DNR
- EXIR 2.0, Smart IR, up to 20 m IR distance
- IP50
- Up the Coax
- Auto Focus

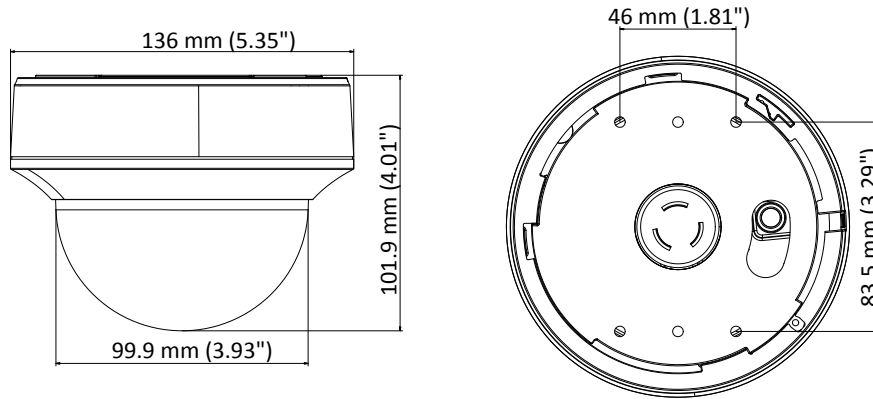
Specification

Camera	
Image Sensor	2.0 megapixel progressive scan CMOS
Signal System	PAL/NTSC
Frame Rate	PAL: 1080p@25fps NTSC: 1080p@30fps
Resolution	1920 (H) × 1080 (V)
Min. illumination	Color: 0.005 Lux @ (F1.2, AGC ON), 0 Lux with IR
Shutter Time	PAL: 1/25 s to 1/50, 000 s NTSC: 1/30 s to 1/50, 000 s
Slow Shutter	Max. 16 times
Lens	2.8 mm to 12 mm motorized vari-focal lens
Horizontal Field of View	32.1° to 103°
Lens Mount	Φ14
Day & Night	IR cut filter
Angle Adjustment	Pan: 0° to 340°, Tilt:0° to 75°, Rotate: 0° to 355°
Synchronization	Internal synchronization
WDR (Wide Dynamic Range)	> 120 dB
Menu	
AGC	Support
Day/Night Mode	Auto/Color/BW (Black and White)
White Balance	ATW/MANUAL
Privacy Mask	ON/OFF, 4 programmable privacy masks
Motion Detection	4 programmable motion areas
Backlight Compensation	WDR/BLC/HLC/OFF
3D DNR (Digital Noise Reduction)	On
Language	English, Chinese
Functions	Brightness, Sharpness, Mirror, Smart IR
Interface	
Video Output	1 HD analog output
General	
Operating Conditions	-40 °C to 60 °C (-40 °F to 140 °F), humidity: 90% or less (non-condensation)
Power Supply	12 VDC ± 25% -A: 12 VDC ± 25%, 24 VDC ± 25%
Power Consumption	Max. 5.5 W -A: Max. 7 W
Ingress Protection	IP50
Material	Plastic
IR Range	Up to 20 m
Communication	Up the coax, Protocol: HIKVISION-C (TVI output)
Dimensions	Φ 136 mm × 102 mm (Φ 5.35" × 4.02")
Weight	Approx. 600 g (1.32 lb.)

Order Models

HAC334D-IDZ

Dimension



Accessory



1273ZJ-130B
Wall Mounting Bracket



1275ZJ
Vertical Pole Mounting Bracket



1271ZJ-130
Pendant Mounting Bracket



1276ZJ
Corner Mounting Bracket



1273ZJ-130
Wall Mounting Bracket



1249ZJ
In-ceiling Mounting Bracket



1H18
Video Balun