

HAC334D-OD4Z

HD1080P Motorized VF Vandal Proof EXIR Dome Camera



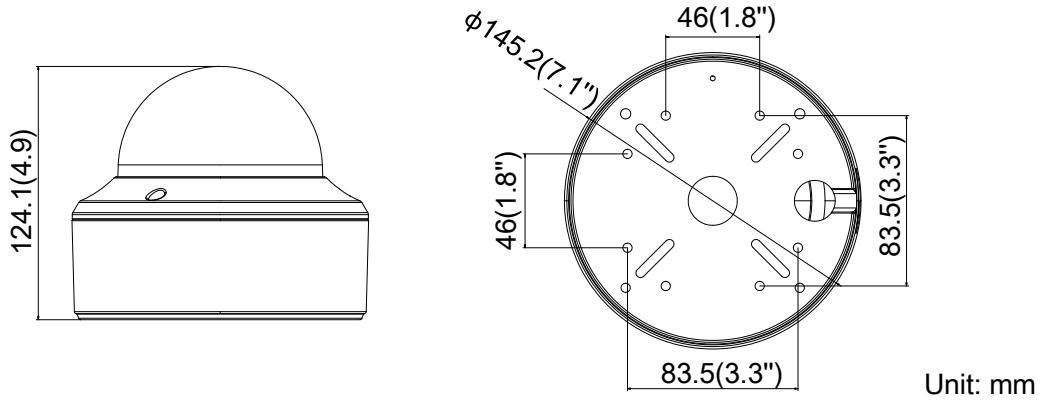
Key Features

- 2 Megapixel high-performance CMOS
- Analog HD output, up to 1080P resolution
- 2.8-12mm motorized vari-focal lens
- True Day/Night
- OSD menu, DNR, Smart IR
- True WDR, up to 120dB
- EXIR technology, up to 40m IR distance
- IP66 weatherproof & vandal proof
- Up the Coax

Specifications

Camera	
Image Sensor	2MP CMOS Image Sensor
Signal System	PAL/NTSC
Effective Pixels	1928(H)*1088(V)
Min. illumination	0.01 Lux @ (F1.2,AGC ON),0 Lux with IR
Shutter Time	1/25s to 1/50,000s
Lens	Motorized VF lens; 2.8 - 12 mm @ F1.2
Lens Mount	φ14
Day & Night	ICR
Angle Adjustment	Pan: 0° - 340°; Tilt:0° - 75°; Rotate: 0° - 355°
Synchronization	Internal Synchronization
WDR	120dB
Video Frame Rate	1080p@25fps/1080p@30fps
HD Video Output	1 Analog HD output
S/N Ratio	>62dB
Menu	
AGC	Support
D/N Mode	Color/BW/SMART
White Balance	ATW/ MWB
BLC	Support
Functions	Wide Dynamic Range, Digital noise reduction, Mirror, SMART IR
General	
Operating Conditions	-40 °C – 60 °C (-40 °F – 140 °F), Humidity 90% or less (non-condensing)
Power Supply	12 VDC/24 VAC ± 15%
Power Consumption	Max. 6.5W
Protection Level	IP66
IR Range	Up to 40m
Impact Protection	IK10
Communication	Up the coax, Protocol: HIKVISION-C (TVI output)
Dimensions	φ 145.2mm×124.1mm (φ5.72"×4.89")
Weight	Approx. 1600g (3.53lb)

Dimensions



Accessories



HTH-275ZJ

Vertical Pole Mounting



HTH-276ZJ

Corner Mounting



HTH-271ZJ-140

Pendant Mounting



HTH-273ZJ-140B

Wall Mounting



HTH-241ZJ

In-ceiling Mounting