

## HAC334D-VB4Z 2 MP Ultra Low-Light VF Bullet Camera



### Key Features

- 2.0 megapixel high-performance CMOS
- Ultra-Low Light
- 1920x1080 resolution
- Auto focus, 2.8 mm to 12 mm motorized vari-focal lens
- 120 dB true WDR, 3D DNR
- EXIR 2.0, Smart IR, up to 40 m IR distance
- IP67
- Up the Coax (HIKVISION-C)

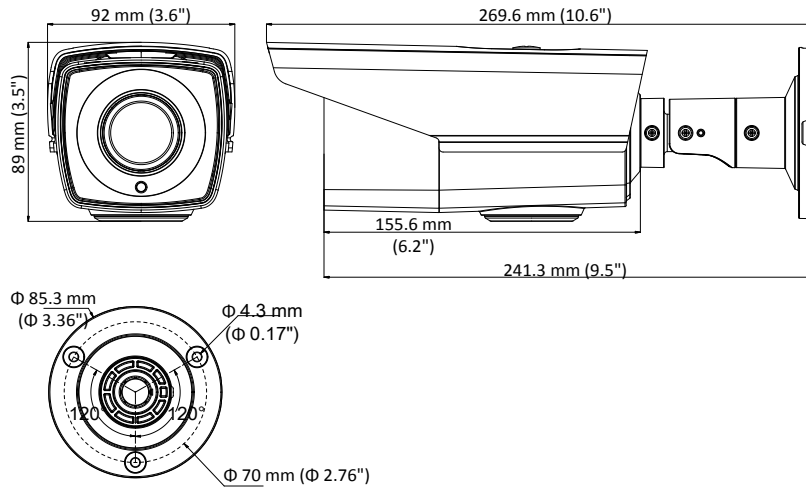
## Specification

<b>Camera</b>	
Image Sensor	2.0 megapixel progressive scan CMOS
Signal System	PAL/NTSC
Frame Rate	PAL: 1080p@25fps NTSC: 1080p@30fps
Resolution	1920 (H) × 1080 (V)
Min. illumination	Color: 0.005 Lux @ (F1.2 AGC ON), 0 Lux with IR
Shutter Time	PAL: 1/25 s to 1/50, 000 s NTSC: 1/30 s to 1/50, 000 s
Slow Shutter	Max. 16 times
Lens	2.8 mm to 12 mm motorized vari-focal lens
Horizontal Field of View	32.1° to 103°
Lens Mount	Φ14
Day & Night	IR cut filter
Angle Adjustment	Pan: 0° to 360°, Tilt:0° to 90°, Rotate: 0° to 360°
Synchronization	Internal synchronization
WDR (Wide Dynamic Range)	> 120 dB
<b>Menu</b>	
AGC	Support
Day/Night Mode	Auto/Color/BW (Black and White)
White Balance	ATW/MANUAL
Privacy Mask	ON/OFF, 4 programmable privacy masks
Motion Detection	4 programmable motion areas
Backlight Compensation	WDR/BLC /OFF
3D DNR (Digital Noise Reduction)	Level 1 to 10
Language	English, Chinese
Functions	Brightness, Sharpness, Mirror, Smart IR
<b>Interface</b>	
Video Output	1 HD analog output
<b>General</b>	
Operating Conditions	-40 °C to 60 °C (-40 °F to 140 °F), humidity: 90% or less (non-condensation)
Power Supply	12 VDC ± 25% -A: 12 VDC ± 25%, 24 VDC ± 25%
Power Consumption	Max. 7.5W -A: Max. 9 W
Ingress Protection	IP67
Material	Metal
IR Range	Up to 40 m
Communication	Up the coax, Protocol: TVI output
Dimensions	92 mm × 89 mm × 269.6 mm (3.62" × 3.5" × 3.34")
Weight	Approx. 900 g (1.98 lb.)

## Order Models

HAC334D-VB4Z

## Dimension



## Accessory



1280ZI-S  
Junction Box



1275ZI  
Vertical Pole Mounting Bracket



1H18  
Video Balun