

HAC335D-VB4Z 3MP Motorized VF EXIR Bullet Camera



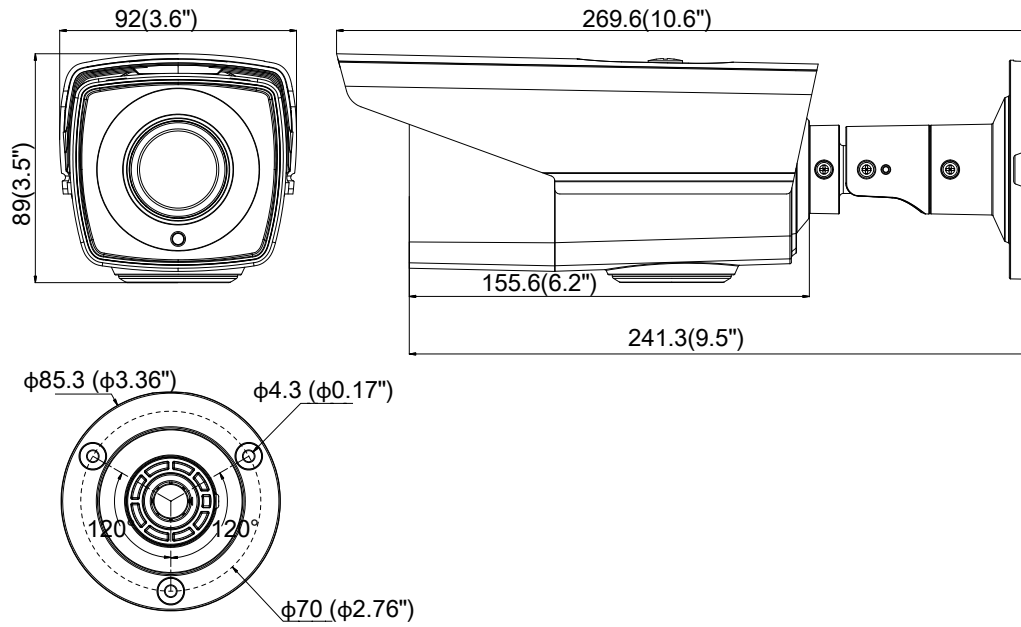
Key Features

- 3 Megapixel high-performance CMOS
- Analog HD output, up to 3MP resolution
- 2.8-12mm motorized vari-focal lens
- True Day/Night
- OSD menu, DNR, Smart IR
- True WDR, up to 120dB
- EXIR technology, up to 40m IR distance
- IP66 weatherproof
- Up the Coax(HIKVISION-C)

Specifications

| Camera | |
|----------------------|---|
| Image Sensor | 3MP CMOS Image Sensor |
| Effective Pixels | 2052(H)*1536 (V) |
| Min. illumination | 0.01 Lux @ (F1.2,AGC ON), 0 Lux with IR |
| Shutter Time | 1/25s to 1/50,000s |
| Lens | Motorized VF lens; 2.8 - 12 mm @ F1.2 |
| Lens Mount | φ14 |
| Day & Night | ICR |
| Angle Adjustment | Pan: 0° - 360°; Tilt:0° - 90°; Rotate: 0° - 360° |
| Synchronization | Internal Synchronization |
| WDR | 120dB |
| Video Frame Rate | 1920×1536@18fps |
| HD Video Output | 1 Analog HD output |
| S/N Ratio | >62dB |
| Menu | |
| AGC | Support |
| D/N Mode | Color/BW/SMART |
| White Balance | ATW/ MWB |
| BLC | Support |
| Functions | Wide Dynamic Range, Digital noise reduction, Mirror, SMART IR |
| General | |
| Operating Conditions | -40 °C – 60 °C (-40 °F – 140 °F), Humidity 90% or less (non-condensing) |
| Power Supply | 12 VDC ± 15%; -A: 12 VDC/24 VAC ± 15% |
| Power Consumption | Max. 6W; -A: Max. 9W |
| Protection Level | IP66 |
| IR Range | Up to 40m |
| Communication | Up the coax, Protocol: HIKVISION-C (TVI output) |
| Dimensions | 92mm×84.8mm×269.6mm (3.62"×3.34"×3.34") |
| Weight | Approx. 900g (1.98lb) |

Dimensions



Unit: mm

Accessories

