

## PAC335-FD4 3MP WDR EXIR Turret Camera



### Key Features

- 3 Megapixel high-performance CMOS
- Analog HD output, up to 3MP resolution
- True Day/Night
- OSD menu, DNR, Smart IR
- True WDR, up to 120dB
- EXIR technology, up to 40m IR distance
- IP66 weatherproof
- Up the Coax(HIKVISION-C)

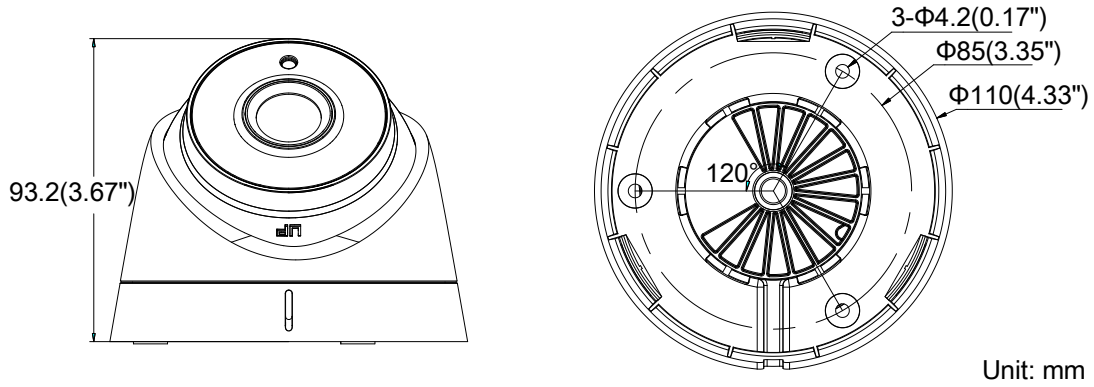
## Specifications

<b>Camera</b>	
Image Sensor	3MP CMOS Image Sensor
Effective Pixels	2052(H)*1536(V)
Min. illumination	0.01 Lux @ (F1.2,AGC ON),0 Lux with IR
Shutter Time	1/25(1/30)s to 1/50,000s
Lens	2.8mm, 3.6mm, 6mm, 8mm, 12mm, 16mm optional
	Angle of View: 84°(2.8mm), 67.8°(3.6mm), 44.6°(6mm), 31.6°(8mm), 20.2°(12mm), 15.8°(16mm)
Lens Mount	M12
Day & Night	ICR
Angle Adjustment	Pan: 0° - 360°; Tilt: 0° - 75°; Rotate: 0° - 360°
Synchronization	Internal Synchronization
WDR	120dB
Video Frame Rate	1920×1536@18fps
HD Video Output	1 Analog HD output
S/N Ratio	>62dB
<b>Menu</b>	
AGC	Support
D/N Mode	Color/BW/SMART
White Balance	ATW/ MWB
BLC	Support
Functions	Wide Dynamic Range, Digital noise reduction, Mirror, SMART IR
<b>General</b>	
Operating Conditions	-40 °C – 60 °C (-40 °F – 140 °F), Humidity 90% or less (non-condensing)
Power Supply	12 VDC ± 15%
Power Consumption	Max. 5W
Protection Level	IP66
IR Range	Up to 40m
Communication	Up the coax, Protocol: HIKVISION-C (TVI output)
Dimensions	φ110mm×93.2mm (φ4.33"×3.67")
Weight	Approx. 350g (0.77lb)

## Order Models

PAC335-FD4

## Dimensions



## Accessories



P-273ZJ-110B-TRSWall  
Mounting



P-275ZJ  
Vertical Pole Mounting



P-276ZJ  
Corner Mounting



P-285ZJ-S  
Junction Box



P-H18  
Video Balun