

PAC344-MD/2.8 2 MP Ultra-Low Light EXIR Turret Camera



Key Features

- 2 MP high performance CMOS
- Ultra-low light
- 1920 × 1080 resolution
- 2.8 mm fixed focal lens
- 130 dB true WDR, 3D DNR
- EXIR 2.0, smart IR, up to 30 m IR distance
- 4 in 1 video output (switchable TVI/AHD/CVI/CVBS)
- IP67
- Up the coax

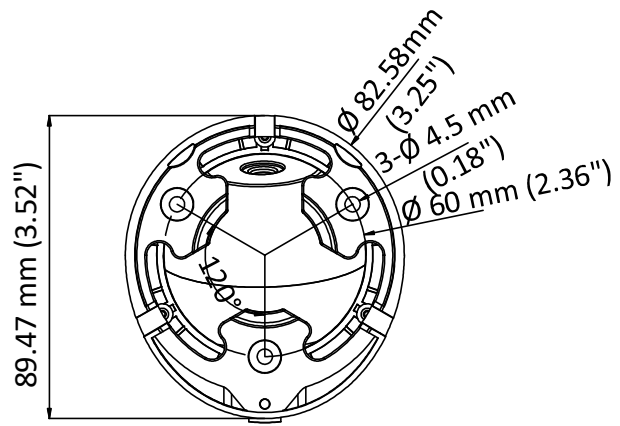
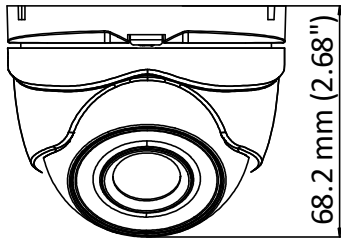
Specification

| Camera | |
|--------------------------|---|
| Image Sensor | 2.0 megapixel progressive scan CMOS |
| Signal System | PAL/NTSC |
| Resolution | 1920 (H) × 1080 (V) |
| Frame Rate | PAL: 1080p@25fps NTSC: 1080p@30fps |
| Min. illumination | Color: 0.003 Lux @ (F1.2, AGC ON), 0 Lux with IR |
| Shutter Time | PAL: 1/25 s to 1/50, 000 s NTSC: 1/30 s to 1/50, 000 s |
| Lens | 2.8 mm |
| Horizontal Field of View | 104° (2.8 mm) |
| Lens Mount | M12 |
| Day & Night | IR cut filter |
| WDR (Wide Dynamic Range) | ≥ 130 dB |
| Angle Adjustment | Pan: 0° to 360°, Tilt: 0° to 75°, Rotate: 0° to 360° |
| Menu | |
| Image Mode | STD/HIGH-SAT |
| AGC | Support |
| Day/Night Mode | Auto/Color/BW (Black White) |
| White Balance | Auto/Manual |
| AE (Auto Exposure) Mode | WDR/BLC/HLC/Global |
| Privacy Mask | 4 programmable privacy masks |
| Motion Detection | 4 programmable motion areas |
| NR (Noise Reduction) | 3D/2D |
| Language | English |
| Functions | Brightness, Sharpness, Mirror, Smart IR, HLC |
| Interface | |
| Video Output | Switchable TVI/AHD/CVI/CVBS |
| General | |
| Operating Conditions | -40 °C to 60 °C (-40 °F to 140 °F), humidity: 90% or less (non-condensation) |
| Power Supply | 12 VDC ±25% <i>*You are recommended to use one power adapter to supply the power for one camera.</i> |
| Power Consumption | Max. 3.4 W |
| Ingress Protection | IP67 |
| Material | Metal |
| IR Range | Up to 30 m |
| Communication | Up the coax, (TVI output) |
| Dimensions | 89.47 mm × 68.2 mm (3.52" × 2.68") |
| Weight | Approx. 238 g (0.52 lb.) |

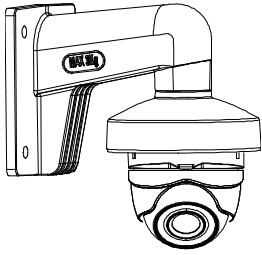
Order Models

PAC344-MD/2.8

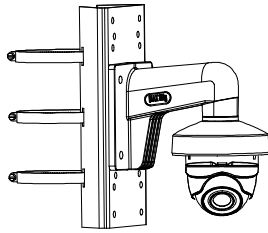
Dimension



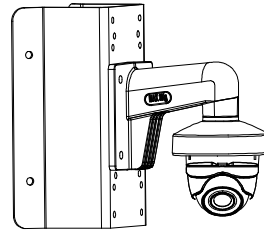
Accessory



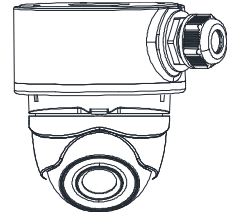
P-272ZJ-110-TRS
Wall Mount



P-275ZJ
Vertical Pole Mount



P-276ZJ
Corner Mount



P-280ZJ-S
Junction Box