

PAC348D-OD4Z 4K Ultra-Low Light VF Dome Camera



Key Features

- 8.29 MP high performance CMOS
- Ultra-low light
- 3840 × 2160 resolution
- Auto focus, 2.8 mm to 12 mm motorized vari-focal lens
- 120 dB true WDR, 3D DNR
- EXIR 2.0, smart IR, up to 60 m IR distance
- Dual video output: TVI/CVBS
- Dual voltage input: 12 VDC ±25%/24 VAC ±25%
- IP67, IK10
- Up the coax (HIKVISION-C)

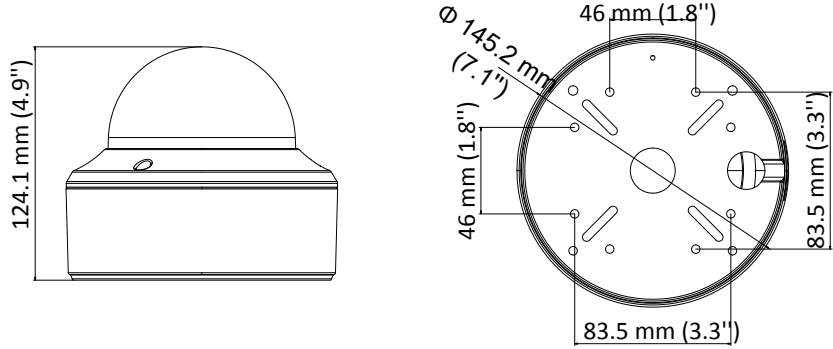
Specification

Camera	
Image Sensor	8.29 megapixel progressive scan CMOS
Signal System	PAL/NTSC
Frame Rate	PAL: 8 MP@12.5fps, 5 MP@20fps, 4 MP@25fps, 1080p@25fps NTSC: 8 MP@15fps, 5 MP@20fps, 4 MP@30fps, 1080p@30fps
Resolution	3840 (H) × 2160 (V)
Min. illumination	Color: 0.003 Lux@(F1.2, AGC ON), 0 Lux with IR
Shutter Time	PAL: 1/12.5 s to 1/10,000 s NTSC: 1/15 s to 1/10,000 s
Slow Shutter	Max. 16 times
Lens	2.8 mm to 12 mm motorized vari-focal lens
Horizontal Field of View	108.1° to 45.6°
Lens Mount	Φ14
Day & Night	IR cut filter
Angle Adjustment	Pan: 0° to 355°, Tilt:0° to 75°, Rotate: 0° to 355°
Synchronization	Internal synchronization
WDR (Wide Dynamic Range)	120 dB
Menu	
AGC	Support
Day/Night Mode	Auto/Color/BW (Black and White)
White Balance	Auto/Manual/Natural
Privacy Mask	ON/OFF, 4 programmable privacy masks
BLC (Backlight Compensation)	Support
3D DNR (Digital Noise Reduction)	Level 1 to 10
Language	English
Functions	Contrast, Sharpness, Saturation, Mirror, Defog, HLC
Interface	
TVI Video Output	1 HD analog output
CVBS Video Output	1 CVBS output (75Ω/BNC)
General	
Operating Conditions	-40 °C to 60 °C (-40 °F to 140 °F), humidity: 90% or less (non-condensation)
Power Supply	12 VDC ±25% -A: 12 VDC ±25%, 24 VDC ±25% <i>*You are recommended to use one power adapter to supply the power for one camera.</i>
Power Consumption	Max. 9 W -A: Max. 10.5 W
Protection Level	IP67, IK10
Material	Metal
IR Range	Up to 60 m
Communication	Up the coax, Protocol: HIKVISION-C (TVI output)
Dimensions	Φ 145.2 mm × 124.1 mm (Φ 5.72" × 4.89")
Weight	Approx. 645 g (1.42 lb.)

Order Models

PAC348D-OD4Z

Dimension



Accessory



P-273ZJ-140B
Wall Mount



P-275ZJ-
Vertical Pole Mount



P-227ZJ
In-ceiling Mount



P-276ZJ-
Corner Mount



P-271ZJ-140
Pendant Mount