

## PAR336-4 TURBO HD DVR

### Key Feature

- H.265 Pro+/H.265 Pro/H.265 video compression
- HDTV/AVD/CVI/CVBS/IP video input
- Audio via coaxial cable
- Up to 8 ch IP camera inputs (up to 8 MP)
- Max. 800 m for 1080p and 1200 m for 720p HDTV signal transmission
- Up to 12 TB capacity per HDD



### Compression and Recording

- H.265 Pro+ can be enabled to improve encoding efficiency and reduce data storage costs
- Recording at up to 8 MP resolution

### Storage and Playback

- Smart search for efficient playback
- Support the third party cloud storage

### Smart Function

- Support multiple VCA (Video Content Analytics) events for both analog and smart IP cameras
- Support line crossing detection and intrusion detection of all channels, and 2-ch sudden scene change detection

### Network & Ethernet Access

- Hik-Connect & DDNS (Dynamic Domain Name System) for easy network management
- Max. 32 Mbps incoming bandwidth and output bandwidth limit configurable

## Specification

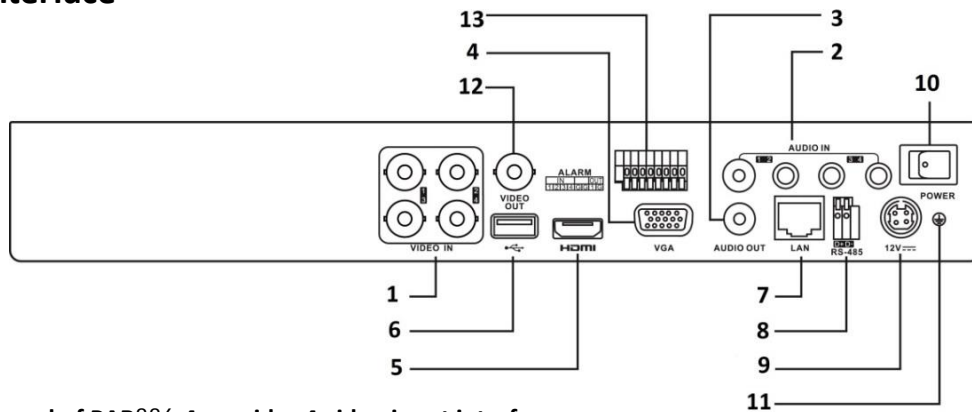
<b>Model</b>	<b>PAR336-4</b>	
<b>Perimeter Protection<sup>1</sup></b>		
<b>Line Crossing Detection/ Intrusion Detection</b>	2-ch  Enhanced VCA mode on: 4-ch	
<b>Recording</b>		
<b>Video compression</b>	H.265 Pro+/H.265 Pro/H.265/H.264+/H.264	
<b>Encoding resolution</b>	When 8 MP Lite mode is not enabled: 8 MP/5 MP/3K/4 MP/3 MP/1080p/720p/WD1/4CIF/VGA/CIF When 8 MP Lite mode is enabled: 8 MP Lite/5 MP/4 MP/3MP/1080P/720P/WD1/4CIF/VGA/CIF	
<b>Frame rate</b>	Main stream: When 8 MP Lite mode is not enabled: 8 MP@8 fps/5 MP@12 fps/3K@12 fps/4 MP@15 fps/3 MP@18 fps 1080p/720p/WD1/4CIF/VGA/CIF@25 fps (P)/30 fps (N) <b>*: 8 MP@8 fps is only available for channel 1 of PAR336-4.</b> When 8 MP Lite mode is enabled: 8 MP Lite/5 MP@12 fps/4 MP/3 MP/1080P/720P/WD1/4CIF/VGA/CIF@15 fps <b>*: 8 MP Lite is only available for PAR336-4.</b>	
	Sub-stream: WD1/4CIF/CIF@25fps (P)/30fps (N)	
<b>Video bit rate</b>	32 Kbps to 10 Mbps	
<b>Dual stream</b>	Support	
<b>Stream type</b>	Video, Video & Audio	
<b>Audio compression</b>	G.711u	
<b>Audio bit rate</b>	64 Kbps	
<b>Video and Audio</b>		
<b>IP video input<sup>2</sup></b>	2-ch (up to 6-ch)  Enhanced IP mode on: 4-ch (up to 8-ch), each up to 4 Mbps  Up to 8 MP resolution Support H.265+/H.265/H.264+/H.264 IP cameras	
<b>Analog video input</b>	4-ch  BNC interface (1.0 Vp-p, 75 Ω), supporting coaxitron connection	
<b>HDTVI input</b>	8 MP, 5 MP, 4 MP, 3 MP, 1080p30, 1080p25, 720p60, 720p50, 720p30, 720p25	
<b>AHD input</b>	5 MP, 4 MP, 1080p25, 1080p30, 720p25, 720p30	
<b>HDCVI input</b>	5 MP, 4 MP, 1080p25, 1080p30, 720p25, 720p30	
<b>CVBS input</b>	PAL/NTSC	
<b>CVBS output</b>	1-ch, BNC (1.0 Vp-p, 75 Ω), resolution: PAL: 704 × 576, NTSC: 704 × 480	
<b>VGA output</b>	1-ch, 1920 × 1080/60Hz, 1280 × 1024/60Hz, 1280 × 720/60Hz, 1024 × 768/60Hz	
<b>HDMI output</b>	1-ch, 1920 × 1080/60Hz, 1280 × 1024/60Hz, 1280 × 720/60Hz, 1024 ×	

	768/60Hz	
<b>Audio input</b>	4-ch, RCA (2.0 Vp-p, 1 K $\Omega$ )	
	4-ch via coaxial cable	
<b>Audio output</b>	1-ch, RCA (Linear, 1 K $\Omega$ )	
<b>Two-way audio</b>	1-ch, RCA (2.0 Vp-p, 1 K $\Omega$ ) (using the first audio input)	
<b>Synchronous playback</b>	4-ch	
<b>Network</b>		
<b>Total bandwidth</b>	96 Mbps	
<b>Incoming bandwidth (Enhanced IP mode)</b>	Up to 32 Mbps	
<b>Remote connection</b>	32	
<b>Network protocol</b>	TCP/IP, PPPoE, DHCP, Hik-Connect, DNS, DDNS, NTP, SADP, NFS, iSCSI, UPnP™, HTTPS, ONVIF	
<b>Network interface</b>	1, RJ45 10M/100M self-adaptive Ethernet interface	
<b>Auxiliary interface</b>		
<b>SATA</b>	1 SATA interface	
<b>Capacity</b>	Up to 12 TB capacity for each disk	
<b>Serial interface</b>	RS-485 (half-duplex)	
<b>USB interface</b>	2 × USB 2.0	
<b>Alarm in/out</b>	4/1	
<b>General</b>		
<b>Power supply</b>	12 VDC, 1.5 A	
<b>Consumption (without HDD)</b>	≤ 10 W	
<b>Working temperature</b>	-10 °C to +55 °C (+14 °F to +131 °F)	
<b>Working humidity</b>	10% to 90%	
<b>Dimension (W × D × H)</b>	315 × 242 × 45 mm (12.4 × 9.5 × 1.8 inch)	
<b>Weight (without HDD)</b>	≤ 1.16 kg (2.6 lb)	

**Note:**

- 1: Enabling enhanced VCA mode will maximize the connectable channel number for perimeter protection (line crossing detection and intrusion detection), but disable 2K/4K HDMI output resolution and 4 MP/5 MP/8 MP signal input.
- 2: Enhanced IP mode might be conflicted with smart events (perimeter protection) or other functions, please refer to the user manual for details.

## Physical Interface



\*: The rear panel of PAR336-4 provides 4 video input interfaces.

No.	Description	No.	Description
1	Video and Coaxial Audio In	8	RS-485 Serial Interface
2	AUDIO IN, RCA Connector	9	12 VDC Power Input
3	AUDIO OUT, RCA Connector	10	Power Switch
4	VGA Interface	11	GND
5	HDMI Interface	12	VIDEO OUT
6	USB Interface	13	Alarm In/Out
7	LAN Network Interface		

## Available Model

PAR336-4